

GENERAL PURPOSE ENGINE

GX270H

PARTS CATALOGUE

1

FOREWORD INDEX

1

ENGINE GROUP

2

PART NUMBER INDEX

3

PART NAME INDEX

4

Instruction for use of parts catalogue

- **This parts catalogue was prepared based on the latest information available as of May 18, 2007.**
- See the parts catalogue news for any revision that is made after May 18, 2007.
- **Always specify the part number when ordering a part.**
- Check the model, type, serial numbers, color, maker, and the size as needed before ordering a part.
- Note that the illustrations (part drawings) can differ from the actual parts in shape. They are given just to help you to refer to the parts.
- **When modifications or additions to this parts catalogue are made, a revised edition will be issued at an appropriate time, with successively progressing revision numbers on the cover. We recommend obtaining such revisions in order to keep your parts catalogue up-to-date at all times. To check whether a parts catalogue revision has been issued, please contact your Honda distributor.**

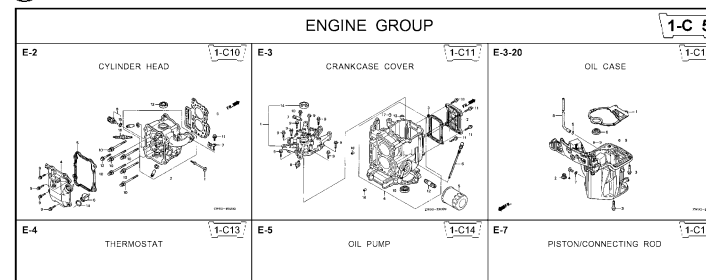
Initial version issue date **May 18, 2007**
Honda Motor Co., Ltd.

CONTENTS

	Page	Address No.	
● Instruction for use of parts catalogue	1	B 1	1
● How to refer to the part information	2	B 2	
● Part catalogue structure	3	B 3	
● When the parts were revised	4	B 4	
● Abbreviations used in the parts catalogue	4	B 4	
● How to check the part block and serial numbers	5	B 5	
● Models, parts catalogue codes and applicable serial numbers	6	B 6	
● Features of each type	7	B 7	
● Fuel hose, general purpose hoses and vinyl hose	8	B 8	
● FLAT RATE SERVICE TIME	9	B 9	
● Illustrated index	14	B14	
● ENGINE GROUP	17	C 1	2
● PART NO. INDEX	43	E 1	3
● PART NAME INDEX	45	F 1	4

How to refer to the part information

A Reference with "Illustrated index"



B Reference with "Part number index"

PART NO. INDEX

Part Number	Address	Page	Rel.	Part Number	Address	Page
06000				15212-ZW9-000	1-C14	3C
06316-ZW9-000	1-69	88	1	15220-ZW9-003	1-C14	3C
11000				15332-ZW9-000	1-E8	5E
11300-ZW9-405	1-C11	27	1	15332-ZW9-A30	1-E11	5E
11300-ZW9-406	1-C11	27	1	15400-PFB-004	1-C11	27
11340-ZW9-000	1-C11	27	2	15422-ZW9-000	1-C14	3C
11342-ZW9-000	1-C11	27	3	15473-881-000	1-C14	3C
11381-ZW9-003	1-C12	28	1	15474-ZW9-000	1-C14	3C
				15611-921-000	1-C10	2E
				15655-ZW9-000	1-C11	27
				16000		
12000				16010-ZV4-005	1-D4	3E
12000-ZW9-405ZA	1-C11	27	4	16011-ZV4-005	1-D4	3E
12155-ZV4-A00	1-C13	29	1	16013-ZW9-003	1-D4	3E
12166-ZW9-000	1-C10	26	1	16016-ZW9-003	1-D4	3E
12209-GB4-681	1-C16	32	1	16016-ZW9-721	1-D4	3E
12210-ZW9-405ZA	1-C10	26	2	16023-ZW9-003	1-D4	3E
12216-ZE2-300	1-E8	58	1	16024-ZV4-650	1-D4	3E
	1-E11	58	1	16028-ZV4-650	1-D4	3E

C Reference with "Part name index"

PART NAME INDEX

Part name	Address	Page	Ref.
[A]			
ABSORBER , FUEL	1-E15	62	5
ARMATURE COMP.	1-D11	43	7
ARM COMP. , LINK JOINT	1-G6	85	18
ARM COMP. , SHIFT LINK	1-G6	85	14
ARM COMP. , TILT	1-F15	79	20
ARM , FUEL PUMP ROCKER	1-C16	32	4
ARM , REVERSE LOCK	1-F15	79	18
ARM , SHIFT LINK	1-F11	74	7
ARM , STOPPER	1-D1	33	12
ARM , THROTTLE REMOTE	1-F11	74	6
ARM , VALVE ROCKER	1-C16	32	3
[B]			
BAG , TOOL , 160MM	1-G5	84	10
BAND	1-G6	86	37
BAND B1 , WIRE	1-F6	69	1
BAND , CORD	1-F3	67	18
BAND , TUBE CLIP , 11MM	1-E15	63	20
BAND , TUBE CLIP , 12.5MM	1-E15	63	19

Address No. 1-C10

E-2 CYLINDER HEAD

Block No.

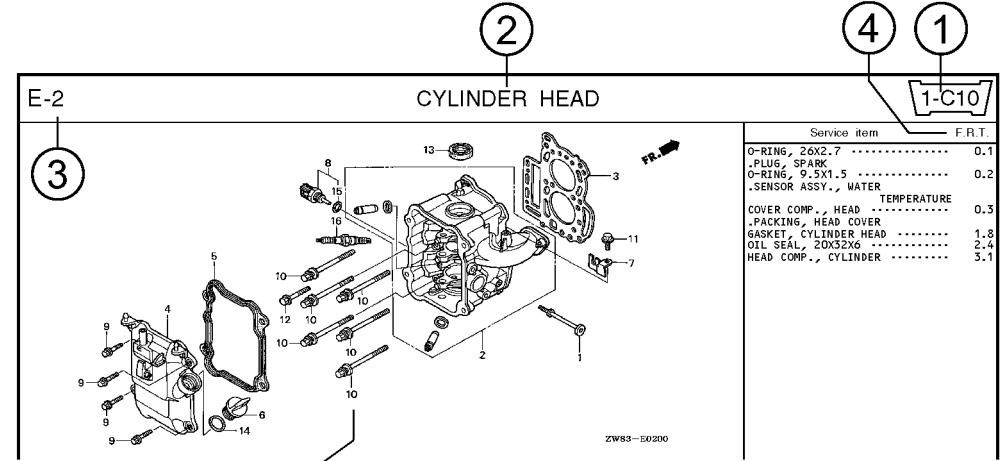
Ref No.

Ref. No.	Part No.	Description	Reqd. QTY						Serial No.	Parts catalogue code
			99D1	99D1	1001	1001	1001	1001		
1	12166-ZW9-000	STOPPER, ENGINE SIDE	2	2	2	2	2	2		
2	12210-ZW9-000ZA	HEAD COMP., CYLINDER	1	1	1	1	1	1		
3	12251-ZW9-003	GASKET, CYLINDER HEAD	1	1	1	1	1	1		
4	12310-ZW9-000	COVER COMP., HEAD	1	1	1	1	1	1		
5	12312-ZW9-000	PACKING, HEAD COVER	1	1	1	1	1	1		
6	15611-921-000	CAP, OIL (NO GAUGE)	1	1	1	1	1	1		
7	16617-ZW9-000	HOLDER, CABLE	1	1	1	1	1	1	SC,SG	
	16617-ZW9-010		1	1	1	1	1	1	1001800 LHC,LHD	
			1	1	1	1	1	1	1001801 LHC,LHD	
8	35673-ZW5-003	SENSOR ASSY., WATER	1	1	1	1	1	1		
9	90003-ZW9-000	BOLT, FLANGE, 6X22	4	4	4	4	4	4		
10	90007-ZW9-003	BOLT, FLANGE, 8X83	6	6	6	6	6	6		
11	90011-ZW9-000	BOLT, FLANGE, 6X14 (CT200)	1	1	1	1	1	1		
12	90020-ZW9-000	BOLT, FLANGE, 8X40	2	2	2	2	2	2		
13	91202-KJ9-003	OIL SEAL, 20X32X6	1	1	1	1	1	1		
14	91301-805-000	O-RING, 26X2.7	1	1	1	1	1	1		
15	91307-PK2-005	O-RING, 9.5X1.5 (HONDA KIKAKI)	1	1	1	1	1	1		
16	98059-55916	PLUG, SPARK (CR5EH-9)	2	2	2	2	2	2		
	98059-55926	PLUG, SPARK (U16FER9)	2	2	2	2	2	2		

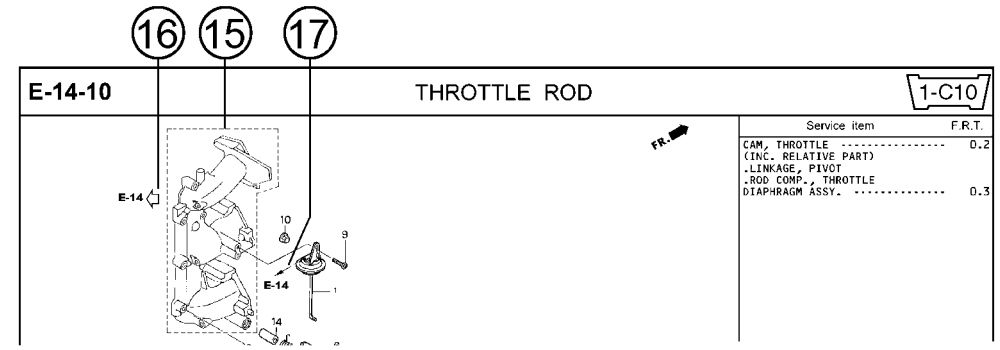
Page No.

2000.09.20 E

Part catalogue structure

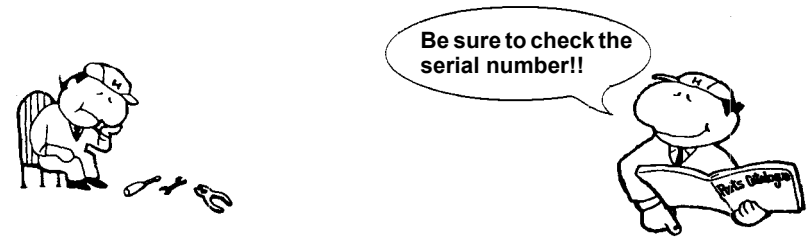


Ref. No.	Part No.	Description	Reqd. QTY						Serial No.	Parts catalogue code
			BF 9/901	BFP 9/901	BF 1001	BFP 1001	BF 1081	BFP 1081		
1	12166-zw9-000	STOPPER, ENGINE SIDE	2	2	2	2	2	2		
2	12210-zw9-000ZA	HEAD COMP., CYLINDER *NH8*	1	1	1	1	1	1		
3	12251-zw9-003	GASKET, CYLINDER HEAD	1	1	1	1	1	1		
4	12310-zw9-000	COVER COMP., HEAD	1	1	1	1	1	1		
5	12312-zw9-000	PACKING, HEAD COVER	1	1	1	1	1	1		
6	15611-921-000	CAP, OIL (NO GAUGE)	1	1	1	1	1	1		
7	16617-zw9-000	HOLDER, CABLE	1	1	1	1	1	1	SC,S6	
	16617-zw9-010		1	1	1	1	1	1	1001800 LHC,LHD	



- ① **Address number**
 - Address No. is provided (in place of the page No.) to help you refer to the part with the part No. or part name.
- ② **Block title** ③ **Block number**
- ④ **Service item/Flat rate time**
- ⑤ **Reference number**
 - Title number marked with the parenthesis or parentheses indicates that it continues from the previous page.
- ⑥ **Part number** ⑦ **Honda color code**
- ⑧ **Description**
- ⑨ **Assemblies**
 - Sections framed with broken lines in the exploded view drawings are available as complete assemblies. (Their individual parts can also be obtained.)
- ⑩ **Color description**
- ⑪ **Note**
 - Notes are shown with the parentheses in the part name column.
- ⑫ **Required quantity**
 - Required QTY shown in the parenthesis or parentheses indicates the optional part.
 - Required QTY marked with "N" Indicates the optional part that should be selected as needed.
 - Required QTY indicates the number of the part used in the block.
- ⑬ **Serial number**
- ⑭ **Type**
 - When the type column is blank, it indicates that the part is applicable to all types.
 - As the type of the actual unit may differ from the "parts catalogue, type" please refer to "Models, types and applicable serial numbers" for confirmation.
- ⑮ **[Dotted box]**
 - Parts enclosed within a dotted line [] are covered in a different block.
- ⑯ **[Hollow arrow]**
 - A hollow arrow [] indicates the block No. for the parts enclosed within a dotted line [] .
- ⑰ **[Solid arrow]**
 - A solid arrow [] indicates the block No. the part in question is connected to.

When the parts were revised



Ref. No.	Part No.	Description	Reqd. QTY						Serial No.
			BF 99D1	BFP 9.9D1	BF 10D1	BFP 10D1	BF 10B1	BFP 10B1	
1	12166-ZW9-000	STOPPER, ENGINE SIDE	2	2	2	2	2	2	
2	12210-ZW9-000ZA	HEAD COMP., CYLINDER *NH8*.....DARK GRAY	1	1	1	1	1	1	
3	12251-ZW9-003	GASKET, CYLINDER HEAD	1	1	1	1	1	1	
4	12310-ZW9-000	COVER COMP., HEAD	1	1	1	1	1	1	
5	12312-ZW9-000	PACKING, HEAD COVER	1	1	1	1	1	1	
6	15611-921-000	CAP, OIL (NO GAUGE)	1	1	1	1	1	1	
7	16617-ZW9-000	HOLDER, CABLE (###).....	1	1	1	1	1	1	SC, SG
	16617-ZW9-010	1	1	1	1	1	1	LHC, LHD
			1	1	1	1	1	1	LHC, LHD

The number has been used from the initial model without revision.

When shown at the left side, it is applicable to the models of No.1001801 and the subsequent numbers.

When shown at the right side, it is applicable to the models up to No.1001800.

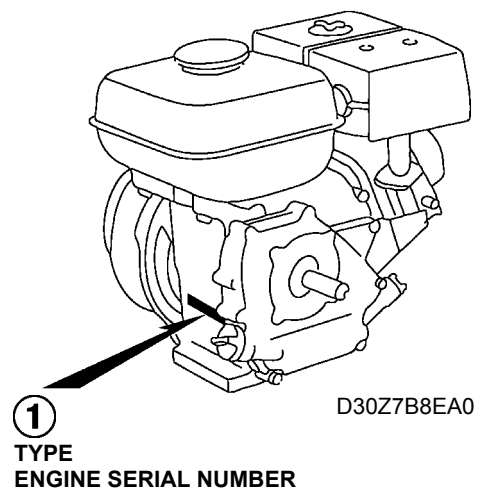
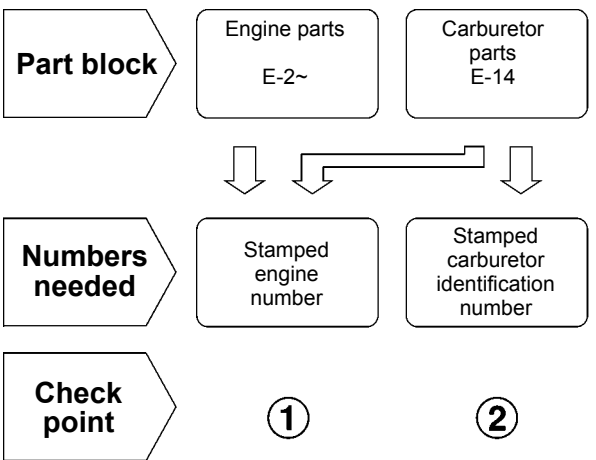
• The parts listed with "###" at the end of the parts name have limited supply period (parts not for sale).

Abbreviations used in the parts catalogue

• The following abbreviations are used in the parts name column.

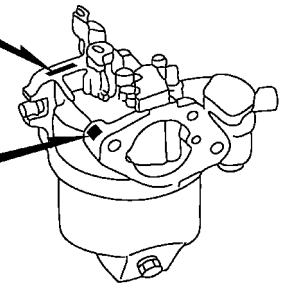
- A Ampere
- A.C. Alternating current
- ASSY. Assembly
- AT. Automatic transmission
- C.D.I. Capacitive discharge ignition
- COMP. ... Complete
- D.C. Direct current
- EX. Exhaust
- G.F.C.I ... Ground fault circuit interruptor
- HEX. Hexagonal
- H.S.T. Hydrostatic transmission
- FR.Front
- IN.Inlet
- L (100L) .Link (100 Links)
- L.Left
- MMMillimeter
- MT.Manual Transmission
- P.T.O.Power take off
- R.Right
- RR.Rear
- STD.Standard
- T (22T) ...Tooth (22 Teeth)
- VVolt
- WWatt

How to check the part block and serial numbers



②-B
CARBURETOR
IDENTIFICATION NUMBER

②-A
CARBURETOR
IDENTIFICATION NUMBER



D30Z7B8CA0

Models, parts catalogue codes and applicable serial numbers

- Models, parts catalogue codes and applicable serial Nos. given in this parts catalogue can be identified as follows.

Model	Type	Parts catalogue type	Applicable engine serial No.	Applicable carburetor identification No.
GX270H	LH	LH	GCADH-1000001 ~	BE70L A
	LW	LW		BE75H A
	QD	QD		
	RD	RD		
	SD	SD		
	SH	SH		BE70L A

* Of carburetor identification numbers, only the portions underlined in the example below are used for registration.

BE 70L A KC ナ
 (A) (B)

Features of each type

• See the following table for the features of each type. (Items in brackets are optional)

Specifications		Model	GX270H					
		Type	LH	LW	QD	RD	SD	SH
Crankshaft	25mmØ Straight					●	●	●
	25.4mmØ Straight			●				
	20mmØ Spline	●	●					
Reduction	1/2 Reduction	●	●					
	1/2 Reduction (With clutch)				●			
Air cleaner	Semi dry			●	●	●		
	Oil bath		●					
	Dual	●						●

Fuel hose, general purpose hoses and vinyl hose

- The standard part fuel hose, general purpose hose and vinyl hose may be substituted by the coiled bulk part.
- When ordering the standard part fuel hose, general purpose hose and vinyl hose use the bulk part number written in the parts catalog in brackets () underneath the part name.
- When exchanging the hose, cut and use at the specified length as mentioned in the part name.
(For the method of cutting the bulk part, and method of filling out orders etc., please refer to the instructions issued with the bulk part.)

Bulk part number of fuel hose, general purpose hose and vinyl hose.

Example: 9 5 0 0 1 - 7 5 0 0 1 - 5 0 M

Bulk part number:
Refers to the bulk part.

Marking code (fuel hose and general purpose hose)

Change code (Vinyl hose)

Indicates number mark or change sequence, however, the code for the bulk part must be strictly 0 (zero).

Types of code:

- | | | | | | |
|-------------|--|----------------|--|--------------|---|
| • Fuel hose | 2: Red outside braid
(3 mm inside dia. only) | • General hose | 1: Ash gray
2: Ash gray
3: Black
5: Black | • Vinyl hose | 1: Clear
2: Black
3: Light red
6: Light red
7: Pale black |
| | 5: Black inside braid | | | | |
| | 3: Red (3 mm inside dia. only) | | | | |
| | 4: Ash gray with red stripe
(3 mm inside dia. only) | | | | |
| | 6: Black | | | | |

Lengths:

- 001: 1 m (standard)
003: 3 m
008: 8 m } Application or specification of some parts is not settled.

I.D code: (fuel hose and general purpose hose)

- | | | | | |
|------------|--------------------|--------------------|-----------------------------|-----------------------------|
| 30: 3.0 mm | 50: 5.0 mm | 70: 7.0 mm | 11: 11 mm | 12: 12 (outside dia. 17) mm |
| 35: 3.5 mm | 55: 5.3 mm, 5.5 mm | 75: 7.3 mm, 7.5 mm | 91: 12 (outside dia. 15) mm | 14: 14 mm |
| 45: 4.5 mm | 65: 6.5 mm | 80: 8.0 mm | 92: 12 (outside dia. 16) mm | 17: 17 mm |

ID./OD. code: (vinyl hose)

- | | | | | |
|-------------------------|--------------------------|---------------------------|---------------------------|---------------------------|
| 01: ID. 2.9, OD. 6.8 mm | 12: ID. 5.0, OD. 7.0 mm | 21: ID. 8.0, OD. 9.0 mm | 37: ID. 11.0, OD. 15.0 mm | 50: ID. 16.0, OD. 19.0 mm |
| 03: ID. 3.0, OD. 6.0 mm | 10: ID. 5.0, OD. 8.0 mm | 23: ID. 8.0, OD. 12.0 mm | 38: ID. 12.0, OD. 13.0 mm | 55: ID. 17.5, OD. 20.5 mm |
| 05: ID. 3.5, OD. 6.5 mm | 11: ID. 5.0, OD. 9.0 mm | 25: ID. 9.0, OD. 11.0 mm | 39: ID. 12.0, OD. 14.0 mm | 60: ID. 22.0, OD. 27.0 mm |
| 07: ID. 4.0, OD. 7.0 mm | 14: ID. 6.0, OD. 9.0 mm | 27: ID. 9.0, OD. 13.0 mm | 40: ID. 12.0, OD. 16.0 mm | |
| 08: ID. 4.5, OD. 6.5 mm | 17: ID. 7.0, OD. 9.0 mm | 33: ID. 10.0, OD. 14.0 mm | 43: ID. 13.0, OD. 15.0 mm | |
| 09: ID. 4.5, OD. 8.0 mm | 19: ID. 7.0, OD. 11.0 mm | 36: ID. 11.0, OD. 13.0 mm | 45: ID. 14.0, OD. 18.0 mm | |

Hose type:

- 1: Fuel hose
3: Vinyl hose
5: General hose

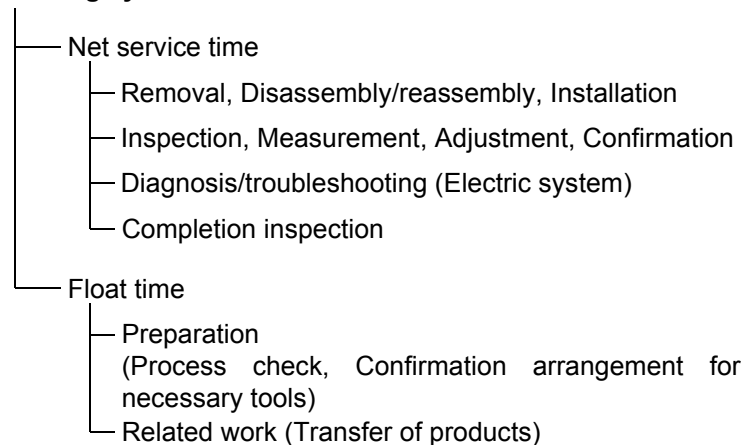
⊙ **CAUTION: It is DANGEROUS to confuse the fuel hose with the general purpose hose or vinyl hose.**

Never use a general purpose hose or vinyl hose in place of a fuel hose or vice versa. Always use the correct bulk part in the parts catalogue, according to the service manual or the instructions issued with the bulk part.

FLAT RATE SERVICE TIME

Flat rate service time (FRT) means the standard time required to service a product, which is listed in this manual to help the dealers control the actual working process and calculate the service charge by using it as a guide.

FRT setting system



* Float time is set by multiplying the net service time by a given coefficient.

Editorial style

The service items shown in the text are listed with the exchange work time for the repair sales parts as the subject. Other representative service items not using repair parts (removal/installation, adjustment, inspection/measuring, and other work) are listed collectively in the list in the preface, classified according to the work.

FRT setting standard

- Decimal system (in unit of 0.1) is adopted to set FRT as it is convenient to calculate the wage.
Example: (0.1) → 6 minutes, (0.2) → 12 minutes
[Labor cost per hour] x [FRT] = [Wage]
- FRT is set with a hand tool.
- Service items and FRT can be subject to change depending on development of tools and service equipment and improvement in service procedure.

Work procedure

- As the work procedure is set with the work time according to the method in the separate Service Manual, refer to this Manual as required.
- Work methods permitting servicing in the shortest time still permitting assurance of safe work and product warranty are used for the setting of service items not listed in the Service Manual.
- Work basically is to be performed by one person, and when two or more people are required, setting is done as the total time for the number of people.
- The set value for the technological level of the workers uses a person with three years of experience in the repair of Honda products as the standard.
- Special tools and service equipment used to set FRT are those specified or recommended in Service Manual.

Service item whose FRT is not presented

- Accessories and service parts that are not listed to use in this manual.
 - Locations with little aging deterioration or breakage during normal use.
 - Service work that can be finished by one touch.
 - Service work that is seldom done (i.e. extremely small causes of trouble and service frequency).
 - Products and parts whose location for installation differs according to its status of use and application.
- * When FRT is not presented, please calculate wages based on appropriate actual work time.

Operation not included of FRT

- Oil and coolant water draining, Waiting time for warming up operation and etc..
- Additional operation that involves removal/installation of standard exterior equipment.
- Indirect time spent for service by visiting the customer, trade-in, and delivery.
- Indirect time required for ordering and delivery of parts.
- Cost for grease, adhesive agent, etc. used for service work.

**Explanation of FRT by using an example
(The example may differ from the actual presented items)**

Ref. No.	L.O.N.	(Relative ref. Number) Description	F.R.T.
①	1111L1	(1, 3, 4, 7) VALVE, INTAKE 4.1	②
②		• NOTE: OHV type	③
③	1111L1A	• Includes: Engine removal and installation One head (intake all) add 1.4	④

- ① Reference No. of the illustration of part that shows location of the replacement work.
- ② FRT is an abbreviation of Flat Rate Time indicating the standard service time required for the replacement.
- ③ LON is an abbreviation of Labor Operation Number, and it is a classification of the service items by the work unit code.

The same operation code is used regardless of the models.

Standard operation is indicated with 6 digits code, and additional operation is indicated with 7 digits code.

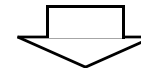
- ④ Indicating the intake valve replacement and FRT4.1.
- ⑤ Indicating FRT1.4 that will be added when additional operation (whole intake side of one cylinder head) is done in association with intake valve replacement.

- ⑥ Indicating work condition or application condition of the service item.
- ⑦ Indicating work contents that are included in the service item.
- ⑧ Indicating a reference No. whose operation and time are the same as FRT4.1 for the intake valve.

(The application range is limited to the service items without an LON setting within a same block.)

**How to refer to the service item by using the sample
(intake valve replacement)**

Open to the page of the block where the intake valve's spare part illustration is shown.



Look for the intake valve illustration, and refer to the service item and FRT that agree with the reference No.

Indication mark for the listing of service items that continues to the following page

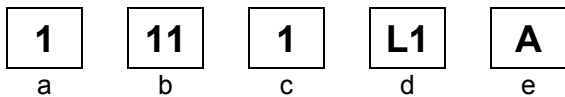
Ref. No.	L.O.N.	(Relative ref. Number) Description	F.R.T.
2	1111L1	VALVE, INTAKE	4.1
	.	.	.
	.	.	.

+
Mark indicated at the last line.

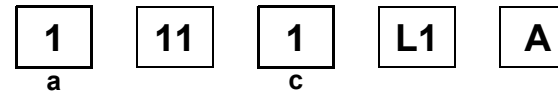
Indication of the block with no setting of FRT

Ref. No.	L.O.N.	(Relative ref. Number) Description	F.R.T.
NO INFORMATION			

• LON code system



- a) Category code..... Engine
- b) Location/function code Engine upper
- c) Operation code..... Replace
- d) Operation sequence number (Unit code can be shown with alphabet)
..... Intake valve
(No regular rule of code)
- e) Additional code One head (intake all)
(No regular rule of code)



a) Category codes and classification

Code	Category
1	Engine
2	Power drive
3	Fuel & Exhaust
4	Frame & Body
5	Steering
6	Electrical
7	Axle & Brake
8	Control system
9	-
0	Attachments

c) Operation codes and classification

Code	Operation category
1	Replace, Removal/Installation, Change
2	Overhaul
3	Adjust, Rotation
4	(Paint-related work: Top-coat)
5	Test, Inspect/diagnose, Measurement
6	(Overhaul-related work: Rebore)
7	(Overhaul-related work: Reseal)
8	(Resurface)
9	(Paint-related work: Refinish)
0	Repair, Cleaning, Air bleeding

Major service items without using spare parts

(1) Removal/Installation, (2) Adjustment, (3) Inspection/Measurement, (4) Overhaul, (5) Other work

E: Engine, T: Transmission, D: Drive system, B: Body and related parts

(1) Removal/Installation

Set with the parts configuration in the status of being removed from the product.

	LON	DESCRIPTION	FRT
E	1111L3	CYLINDER HEAD ASSEMBLY-REMOVAL/INSTALLATION	0.5

(2) Adjustment

	LON	DESCRIPTION	FRT
E	1113A1	VALVE CLEARANCE-ADJUSTMENT NOTE: For 1 product	0.3
	1163A0	CONTROL, THROTTLE/GOVERNOR-ADJUSTMENT	0.2
	3113A2	CARBURETOR IDLE-ADJUSTMENT	0.2

(3) Inspection, Measurement, Cleaning

	LON	DESCRIPTION	FRT
E	1105A0	ENGINE OIL-INSPECTION	0.1
	3120A0	AIR CLEANER-CLEANING INCLUDES: Air cleaner-inspection	0.2
	3130A0	SPARK ARRESTER-CLEANING	0.2
	6140A0	SPARK PLUG-ADJUSTMENT/CLEANING NOTE: For 1 product	0.1

(4) Overhaul

Work condition: The required Measurements, inspections, adjustments, and cleaning/washing of each part are performed, including the main body removal/installation work and the replacement of defective parts.

	LON	DESCRIPTION	FRT
E	3112A0	CARBURETOR-OVERHAUL INCLUDES: All necessary adjustment	0.5

(5) Other work

	LON	DESCRIPTION	FRT
E	1101E1	ENGINE OIL-CHANGE INCLUDES: Engine oil-inspection	0.1

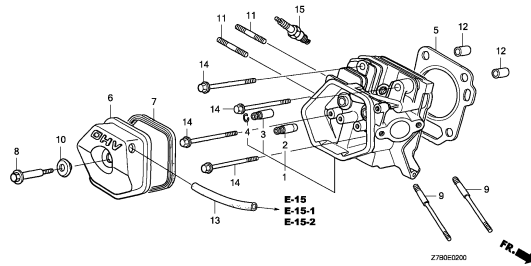
ENGINE GROUP

B14

E-2

CYLINDER HEAD

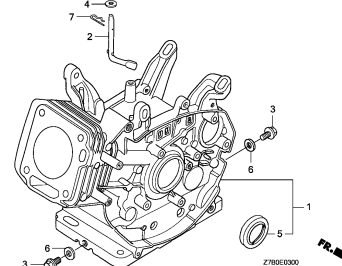
C 1



E-3

CYLINDER BARREL

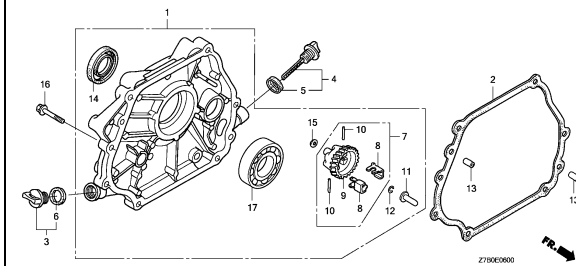
C 2



E-6

CRANKCASE COVER(1)

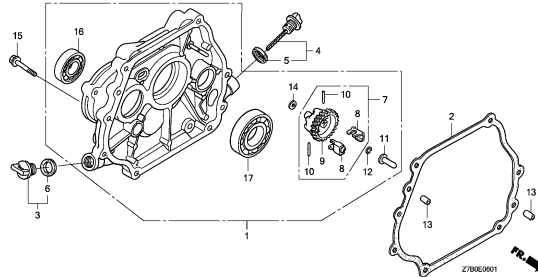
C 3



E-6-1

CRANKCASE COVER(2)

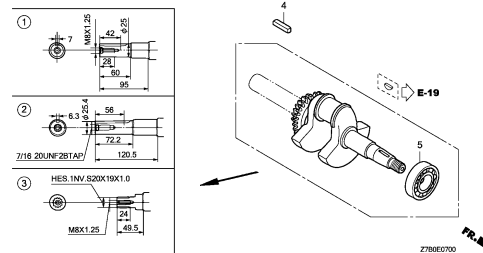
C 4



E-7

CRANKSHAFT

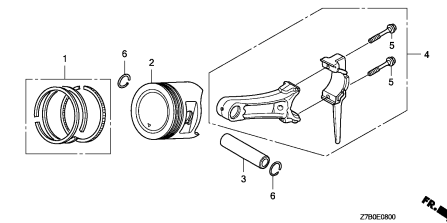
C 5



E-8

PISTON

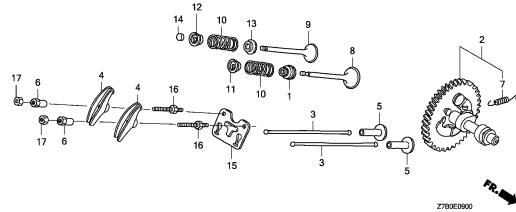
C 6



E-9

CAMSHAFT

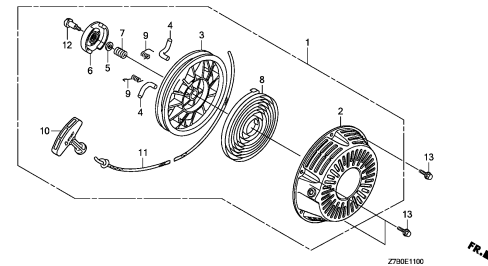
C 7



E-11

RECOIL STARTER

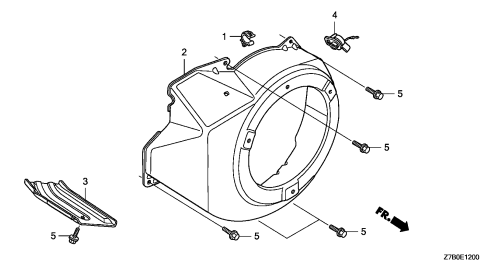
C10



E-12

FAN COVER

C11



2

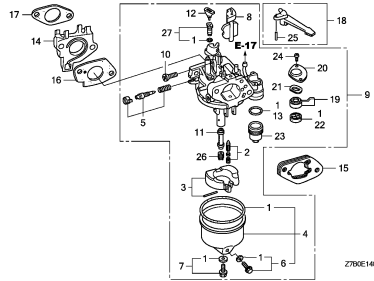
ENGINE GROUP

B15

E-14

CARBURETOR

C12

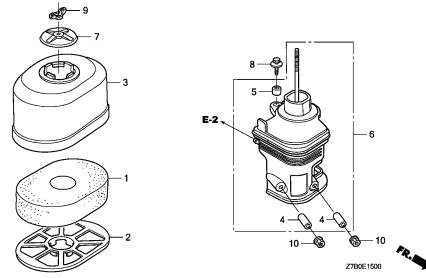


Z790E1400

E-15

AIR CLEANER(SEMI DRY)

C14

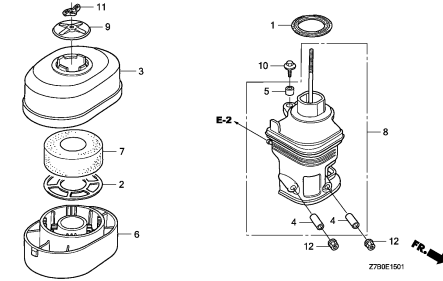


Z790E1500

E-15-1

AIR CLEANER(OIL BATH)

C15

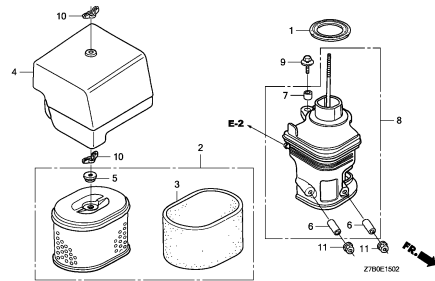


Z790E1601

E-15-2

AIR CLEANER(DUAL)

C16

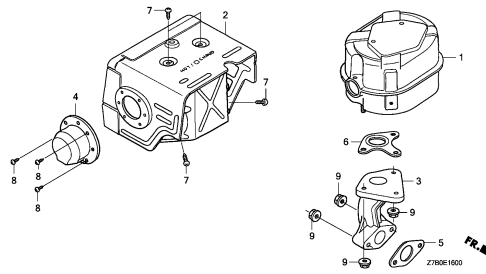


Z790E1502

E-16

MUFFLER

D 1

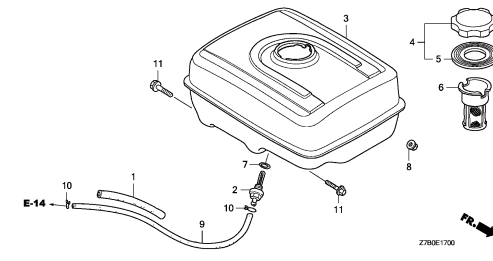


Z790E1600

E-17

FUEL TANK

D 2

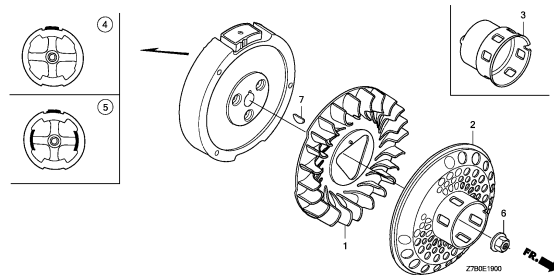


Z790E1700

E-19

FLYWHEEL

D 3

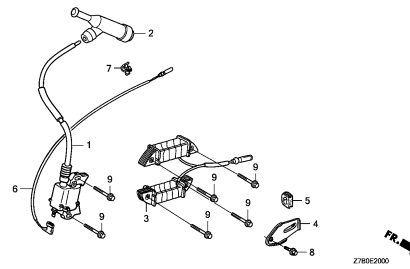


Z790E1900

E-20

IGNITION COIL

D 4

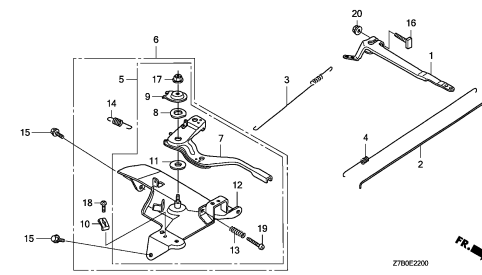


Z790E2000

E-22

CONTROL

D 5



Z790E2200

2

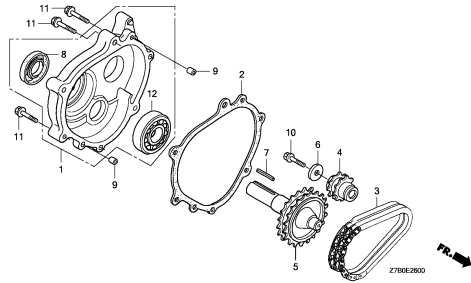
ENGINE GROUP

B16

E-26

REDUCTION(1/2)

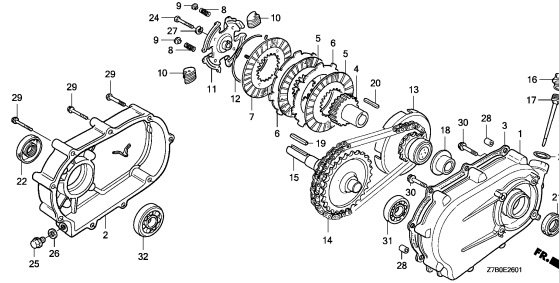
D 6



E-26-1

REDUCTION(1/2)(CLUTCH)

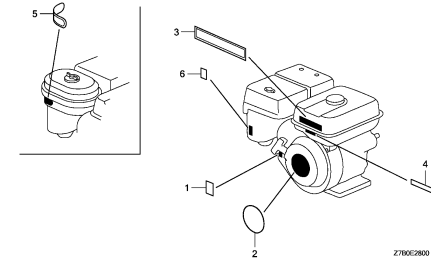
D 7



E-28

LABEL

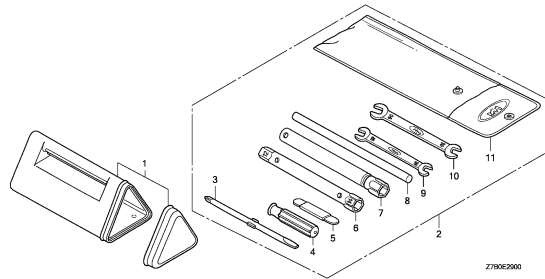
D 9



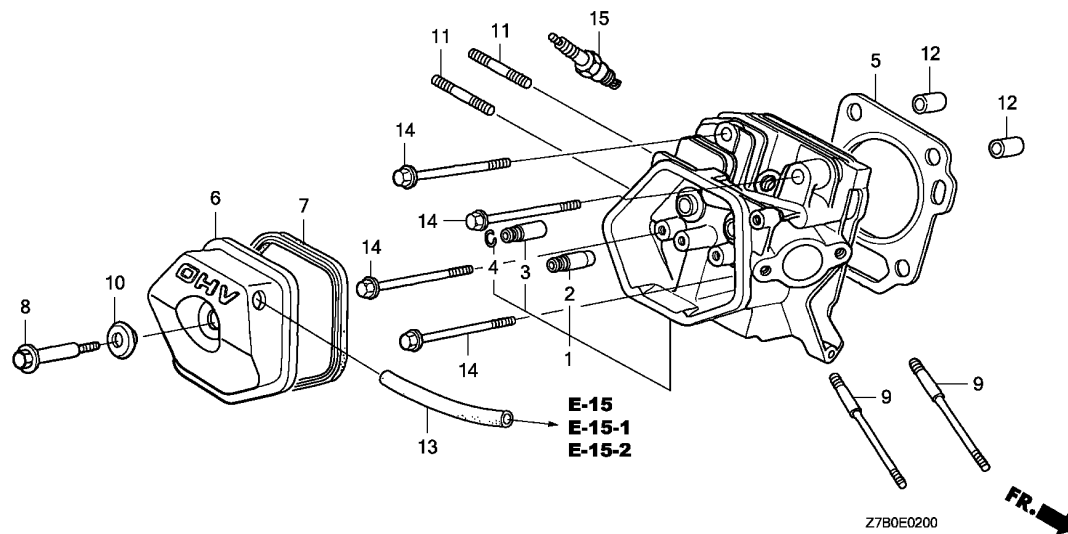
E-29

TOOL

D10



2



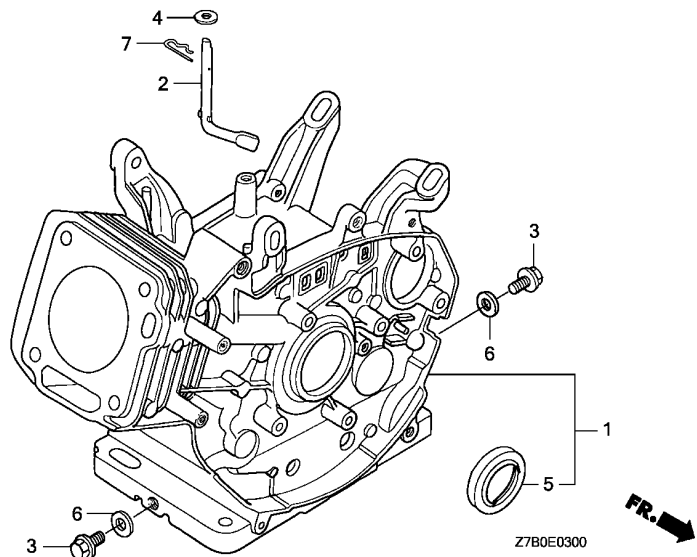
Ref. No.	L.O.N.	(Relative ref. Number) Description	F.R.T.
1	1111N3	HEAD, CYLINDERINCLUDES: Valve clearance adjustment and reface	0.9
2	1111E9	GUIDE, INTAKE VALVEINCLUDES: Valve clearance adjustment	0.8
	1111E9E	.Replace intake and exhaust all add	0.2
3	1111E8	GUIDE, EXHAUST VALVEINCLUDES: Valve clearance adjustment	0.8
	1111E8E	.Replace intake and exhaust all add	0.2
5	1111N4	GASKET, CYLINDER HEAD	0.5
6	1111D5	COVER, CYLINDER HEAD AND/OR PACKING, HEAD COVER	0.1
13	1111K5	TUBE, BREATHER	0.2
15	6141C1	PLUG, SPARKINCLUDES: Spark plug check	0.1

Ref. No.	Part No.	Description	Reqd. QTY	Serial No.	Parts catalogue code
			GX 270 H		
1	12200-Z7B-000	HEAD COMP., CYLINDER	1		
2	12204-ZE2-306	GUIDE, IN. VALVE (O.S.)	(1)		
3	12205-ZE2-305	GUIDE, EX. VALVE (O.S.)	(1)		
4	12216-ZE2-300	CLIP, VALVE GUIDE	1		
5	12251-ZH9-000	GASKET, CYLINDER HEAD	1		
6	12310-ZE2-020	COVER COMP., HEAD	1		
7	12391-ZE2-020	PACKING, HEAD COVER	1		
8	90014-ZE2-000	BOLT, HEAD COVER	1		
9	90042-ZE2-000	BOLT, STUD, 8X123	2		
10	90441-ZE2-010	WASHER COMP., HEAD COVER	1		
11	92900-08032-0E	BOLT, STUD, 8X32	2		
12	94301-12200	DOWEL PIN, 12X20	2		
13	95005-11100-30	TUBE, 11X100(95005-11001-30M)	1		
14	95725-10080-00	BOLT, FLANGE, 10X80	4		
15	98079-55841	PLUG, SPARK (BP5ES)(NGK)	(1)	----- QD,RD,SD	
	98079-55846	PLUG, SPARK (BPR5ES)(NGK)	(1)	----- LH,LW,SH	
	98079-55854	PLUG, SPARK (W16EP-U)(DENSO)	(1)	----- QD,RD,SD	
	98079-55855	PLUG, SPARK (W16EPR-U)(DENSO)	(1)	----- LH,LW,SH	
	98079-56846	PLUG, SPARK (BPR6ES)(NGK)	1		

E-3

CYLINDER BARREL

C 2



Ref. No.	L.O.N.	(Relative ref. Number) Description	F.R.T.
1	1101A0	BARREL, CYLINDER	1.8
2	1161B4	SHAFT, GOVERNOR ARM	1.1
5	1101E4	OIL SEAL, CRANKSHAFT :FRONT ..	1.1

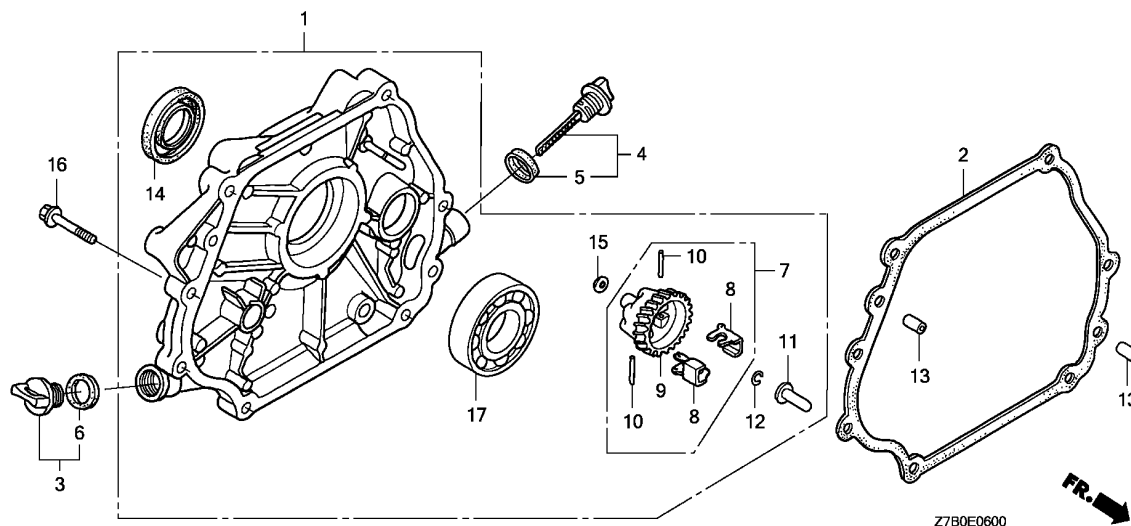
Ref. No.	Part No.	Description	Reqd. QTY	Serial No.	Parts catalogue code
			GX 270 H		
1	12000-Z7B-800	BARREL ASSY., CYLINDER	1		
2	16541-Z7B-000	SHAFT, GOVERNOR ARM	1		
3	90131-883-000	BOLT, DRAIN PLUG, 12X15	2		
4	90446-Z7E-000	WASHER, 8.2X17X0.8	1		
5	91201-Z7B-003	OIL SEAL, 30X46X8	1		
6	94109-12000	WASHER, DRAIN PLUG, 12MM	2		
7	94251-10000	PIN, LOCK, 10MM	1		

2

E-6

CRANKCASE COVER(1)

C 3



Ref. No.	L.O.N.	(Relative ref. Number) Description	F.R.T.
1	1101F1	COVER, CRANKCASE	0.2
2	1101E9	PACKING, CRANKCASE COVER	0.2
9	1161A7	HOLDER, GOVERNOR WEIGHT	0.3
11	1161B6	SLIDER, GOVERNOR	0.3
14	1101E5	OIL SEAL, CRANKSHAFT :REAR ...	0.3
17	1101A6	BEARING, CRANKSHAFT :REAR	0.4

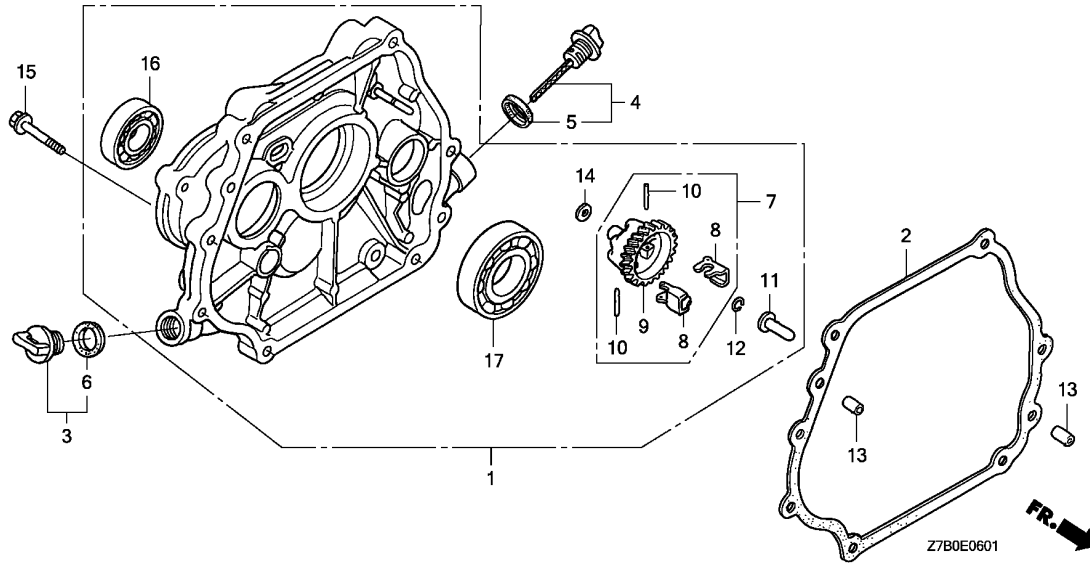
Ref. No.	Part No.	Description	Reqd. QTY	Serial No.	Parts catalogue code
			GX 270 H		
1	11300-Z7B-000	COVER ASSY., CRANKCASE	1	-----	RD,SD,SH
	11300-Z7B-800	1	-----	QD
2	11381-ZE2-801	PACKING, CASE COVER	1	-----	QD,RD,SD,SH
3	15600-Z1T-600	CAP ASSY., OIL FILLER	1	-----	QD,RD,SD,SH
4	15600-Z7E-000	CAP ASSY., OIL FILLER	1	-----	QD,RD,SD,SH
5	15625-Z0T-800	PACKING, OIL FILLER CAP	1	-----	QD,RD,SD,SH
6	15625-Z1T-000	PACKING, OIL FILLER CAP	1	-----	QD,RD,SD,SH
7	16510-Z7B-000	GOVERNOR ASSY.	1	-----	QD,RD,SD,SH
8	16511-ZE2-000	WEIGHT, GOVERNOR	2	-----	QD,RD,SD,SH
9	16512-Z7B-000	HOLDER, GOVERNOR WEIGHT	1	-----	QD,RD,SD,SH
10	16513-ZE2-000	PIN, GOVERNOR WEIGHT	2	-----	QD,RD,SD,SH
11	16531-Z0A-000	SLIDER, GOVERNOR	1	-----	QD,RD,SD,SH
12	90602-ZE1-000	CLIP, GOVERNOR HOLDER	1	-----	QD,RD,SD,SH
13	90701-Z7E-000	DOWEL PIN, 8X12	2	-----	QD,RD,SD,SH
14	91201-Z7B-003	OIL SEAL, 30X46X8	1	-----	QD,RD,SD,SH
15	94101-06800	WASHER, PLAIN, 6MM	1	-----	QD,RD,SD,SH
16	95701-08035-00	BOLT, FLANGE, 8X35	7	-----	QD,RD,SD,SH
17	96100-62060-00	BEARING, RADIAL BALL, 6206 ..	1	-----	QD,RD,SD,SH

2

E-6-1

CRANKCASE COVER(2)

C 4



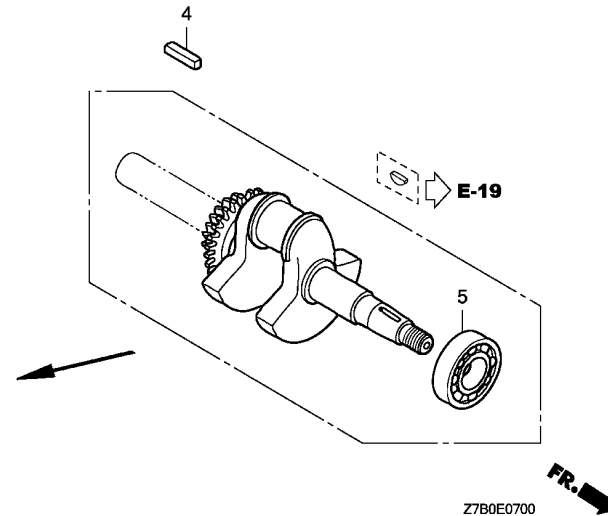
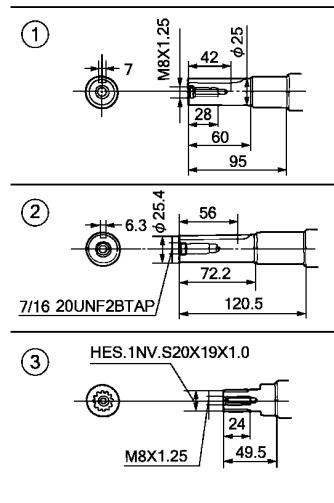
Ref. No.	L.O.N.	(Relative ref. Number) Description	F.R.T.
1	1101G0	COVER, CRANKCASE(A)	0.3
2	1101F9	PACKING, CRANKCASE COVER(A) ..	0.3
9		(8)	
	1161C6	HOLDER, GOVERNOR WEIGHT(A) ...	0.4
11	1161C7	SLIDER, GOVERNOR(A)	0.3
16	2141A8	BEARING, POWER TAKE OFF SHAFT	0.4
17	1101A6	BEARING, CRANKSHAFT :REAR	0.4

Ref. No.	Part No.	Description	Reqd. QTY	Serial No.	Parts catalogue code
			GX 270 H		
1	11300-Z7B-810	COVER ASSY., CRANKCASE	1	-----	LH,LW
2	11381-ZE2-801	PACKING, CASE COVER	1	-----	LH,LW
3	15600-Z1T-600	CAP ASSY., OIL FILLER	1	-----	LH,LW
4	15600-Z7E-000	CAP ASSY., OIL FILLER	1	-----	LH,LW
5	15625-Z0T-800	PACKING, OIL FILLER CAP	1	-----	LH,LW
6	15625-Z1T-000	PACKING, OIL FILLER CAP	1	-----	LH,LW
7	16510-Z7B-000	GOVERNOR ASSY.	1	-----	LH,LW
8	16511-ZE2-000	WEIGHT, GOVERNOR	2	-----	LH,LW
9	16512-Z7B-000	HOLDER, GOVERNOR WEIGHT	1	-----	LH,LW
10	16513-ZE2-000	PIN, GOVERNOR WEIGHT	2	-----	LH,LW
11	16531-Z0A-000	SLIDER, GOVERNOR	1	-----	LH,LW
12	90602-ZE1-000	CLIP, GOVERNOR HOLDER	1	-----	LH,LW
13	90701-Z7E-000	DOWEL PIN, 8X12	2	-----	LH,LW
14	94101-06800	WASHER, PLAIN, 6MM	1	-----	LH,LW
15	95701-08035-00	BOLT, FLANGE, 8X35	7	-----	LH,LW
16	96100-62040-00	BEARING, RADIAL BALL, 6204 ..	1	-----	LH,LW
17	96100-62060-00	BEARING, RADIAL BALL, 6206 ..	1	-----	LH,LW

E-7

CRANKSHAFT

C 5



Ref. No.	L.O.N.	(Relative ref. Number) Description	F.R.T.
1		(2,3)	
1101F0		CRANKSHAFT	1.1
5 1101A4		BEARING, CRANKSHAFT :FRONT ...	1.3

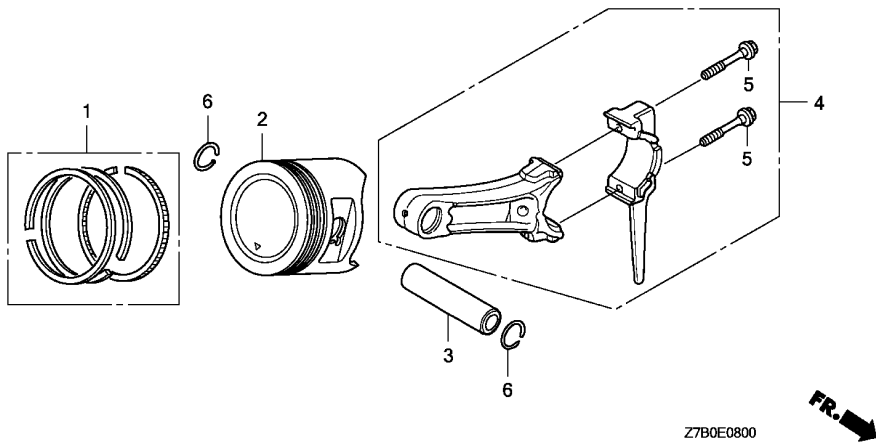
Ref. No.	Part No.	Description	Reqd. QTY	Serial No.	Parts catalogue code
			GX 270 H		
1	13310-Z7B-000	CRANKSHAFT COMP.	1	-----	RD,SD,SH
2	13310-Z7B-800	CRANKSHAFT COMP.	1	-----	QD
3	13310-Z7B-820	CRANKSHAFT COMP.	1	-----	LH,LW
4	90741-805-000	KEY, 7X7X33	1	-----	RD,SD,SH
	90741-889-810	KEY, 7X7X33 (YELLOW)	(1)	-----	RD,SD,SH
	90745-ZE2-600	KEY, 6.3X6.3X43	1	-----	QD
5	91001-ZH9-003	BEARING, RADIAL BALL (6206 SH)	1	-----	

2

E-8

PISTON

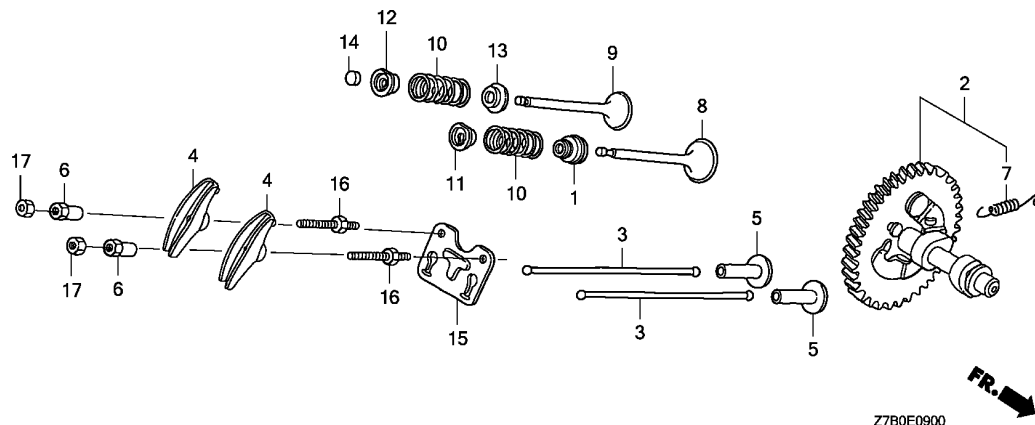
C 6



Ref. No.	L.O.N.	(Relative ref. Number) Description	F.R.T.
2		(1,3,4)	
1111R1		PISTON AND/OR RING SET AND/OR BEARING AND/OR RODINCLUDES: Inspection/ Measurement/Cleaning	1.2

Ref. No.	Part No.	Description	Reqd. QTY	Serial No.	Parts catalogue code
			GX 270 H		
1	13010-ZE8-601	RING SET, PISTON (STD.) (NIPPON)	1		
	13010-ZE8-602	RING SET, PISTON (STD.) (TEIKOKU)	1		
	13011-ZE8-601	RING SET, PISTON (0.25) (NIPPON)	(1)		
	13011-ZE8-602	RING SET, PISTON (0.25) (TEIKOKU)	(1)		
	13012-ZE8-601	RING SET, PISTON (0.50) (NIPPON)	(1)		
	13012-ZE8-602	RING SET, PISTON (0.50) (TEIKOKU)	(1)		
	13013-ZE8-601	RING SET, PISTON (0.75) (NIPPON)	(1)		
	13013-ZE8-602	RING SET, PISTON (0.75) (TEIKOKU)	(1)		
2	13101-ZH9-000	PISTON (STD.)	1		
	13102-ZH9-000	PISTON (0.25)	(1)		
	13103-ZH9-000	PISTON (0.50)	(1)		
	13104-ZH9-000	PISTON (0.75)	(1)		
3	13111-Z7B-000	PIN, PISTON	1		
4	13200-Z1D-000	ROD ASSY., CONNECTING (STD.)	1		
	13200-ZE2-305	ROD ASSY., CONNECTING (0.25 UNDER SIZE)	(1)		
5	90001-ZE8-000	BOLT, CONNECTING ROD	2		
6	90551-ZE1-000	CLIP, PISTON PIN, 18MM	2		

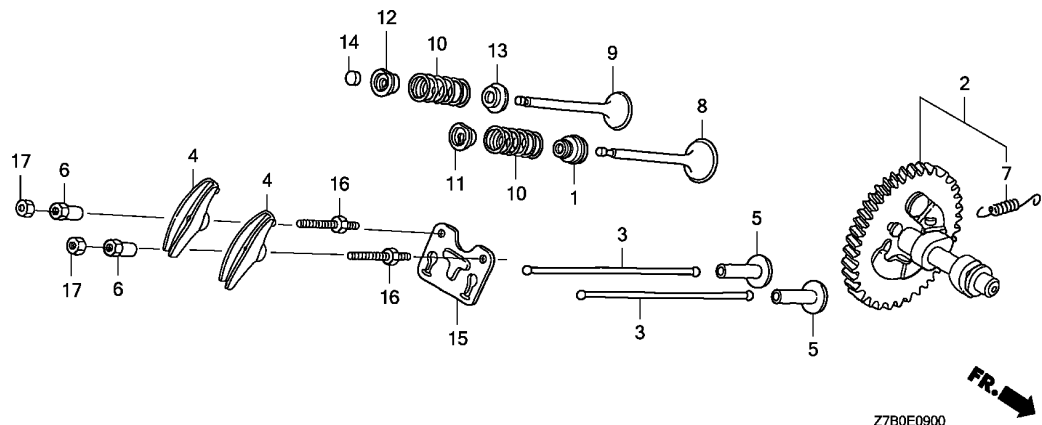
2



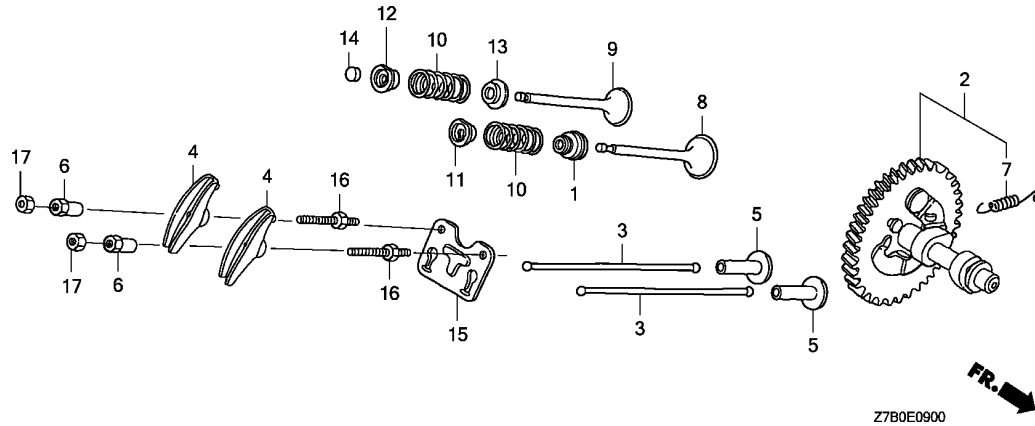
Ref. No.	L.O.N.	(Relative ref. Number) Description	F.R.T.
1	1111K2	SEAL, INTAKE VALVE STEMINCLUDES: Valve clearance adjustment	0.6
2	1111C2	CAMSHAFT	0.4
3	1111L6	ROD, PUSH :INTAKE	0.2
		.INCLUDES: Valve clearance adjustment	
	1111L6A	.Replace exhaust push rod add	0.1
	1111L7	ROD, PUSH :EXHAUST	0.2
		.INCLUDES: Valve clearance adjustment	
	1111L7A	.Replace intake push rod add	0.1
4	1111A2	ARM, ROCKER :INTAKE	0.2
		.INCLUDES: Valve clearance adjustment	
	1111A2A	.Replace exhaust rocker arm add	0.1
	1111A1	ARM, ROCKER :EXHAUST	0.2
		.INCLUDES: Valve clearance adjustment	
	1111A1A	.Replace intake rocker arm add	0.1
+ 5	1111L9	LIFTER, VALVE :INTAKE	0.4

Ref. No.	Part No.	Description	Reqd. QTY	Serial No.	Parts catalogue code
			GX 270 H		
1	12209-Z7E-003	SEAL, VALVE STEM	1		
2	14100-ZE3-020	CAMSHAFT ASSY.	1	----- LH,SH	
	14100-ZH9-010	1	----- LW,QD,RD,SD	
3	14410-Z7B-000	ROD, PUSH	2		
4	14431-ZE2-010	ARM, VALVE ROCKER	2		
5	14441-Z7E-000	LIFTER, VALVE	2		
6	14451-Z7E-000	PIVOT, ROCKER ARM	2		
7	14568-ZE1-000	SPRING, WEIGHT RETURN	1		
8	14711-Z7B-000	VALVE, IN.	1		
9	14721-Z7B-000	VALVE, EX.	1		
10	14751-Z7E-000	SPRING, VALVE	2		
11	14771-ZE2-000	RETAINER, IN. VALVE SPRING ..	1		
12	14773-ZE2-000	RETAINER, EX. VALVE SPRING ..	1		
13	14775-ZE2-010	SEAT, VALVE SPRING	1		
14	14781-Z7E-000	ROTATOR, VALVE	1		
15	14791-Z7E-000	GUIDE, PUSH ROD	1		
16	90012-ZE0-010	BOLT, PIVOT, 8MM	2		
17	90206-ZE1-000	NUT, PIVOT ADJUSTING	2		

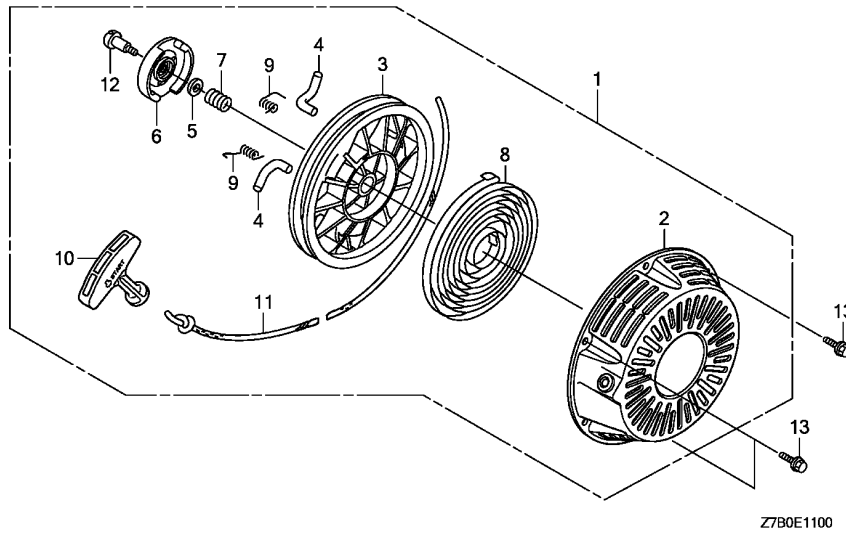




Ref. No.	L.O.N.	(Relative ref. Number) Description	F.R.T.
+ 5		.INCLUDES: Valve clearance adjustment	
1111M0		.NOTE: Same time for two units LIFTER, VALVE :EXHAUST	0.4
		.INCLUDES: Valve clearance adjustment	
8 1111L1		.NOTE: Same time for two units VALVE, INTAKE	0.7
		.INCLUDES: Valve clearance adjustment and reface	
1111L1E		.Replace intake and exhaust all add	0.1
9 1111L0		VALVE, EXHAUST	0.7
		.INCLUDES: Valve clearance adjustment and reface	
1111L0E		.Replace intake and exhaust all add	0.1
10 1111P3		SPRING, VALVE :INTAKE	0.6
		.INCLUDES: Valve clearance adjustment	
1111P3A		.Replace intake and exhaust all add	0.1
1111P4		SPRING, VALVE :EXHAUST	0.6
		.INCLUDES: Valve clearance adjustment	
+			



Ref. No.	L.O.N.	(Relative ref. Number) Description	F.R.T.
+10	1111P4A	.Replace intake and exhaust all add	0.1
14	1111J7	ROTATOR, VALVE	0.2
		.INCLUDES: Valve clearance adjustment	



Ref. No.	L.O.N.	(Relative ref. Number) Description	F.R.T.
1	1121B9	STARTER, RECOIL	0.1
3	1121B1	REEL, RECOIL STARTER	0.3
4	1121B0	RATCHET, STARTER AND/OR SPRING, RATCHET	0.2
6	1121A4	GUIDE, RATCHET	0.2
8	1121B7	SPRING, RECOIL STARTER RETURN	0.3
11	1121B3	ROPE, RECOIL STARTER	0.3

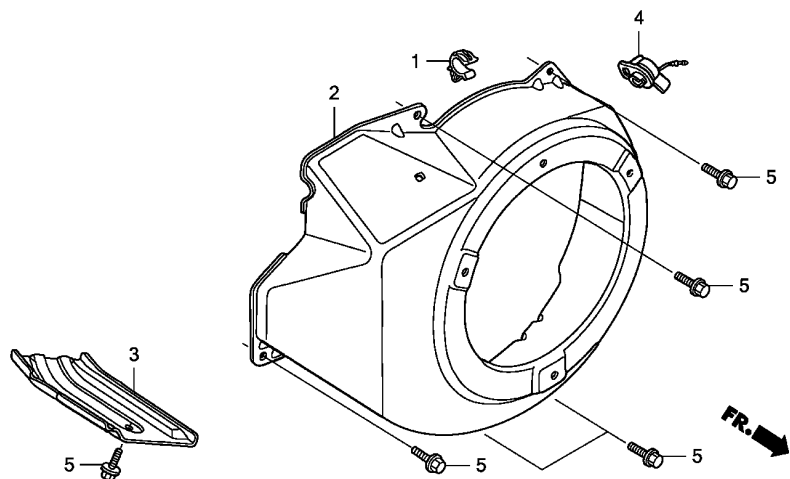
2

Ref. No.	Part No.	Description	Reqd. QTY	Serial No.	Parts catalogue code
1	28400-Z7B-003ZA	STARTER ASSY., RECOIL			
		R280.....POWER RED	1		
2	28410-Z7B-003ZA	CASE COMP., RECOIL STARTER			
		R280.....POWER RED	1		
3	28420-Z7B-003	REEL, RECOIL STARTER	1		
4	28422-ZH8-801	RATCHET, STARTER	2		
5	28431-ZH8-801	PLATE, FRICTION	1		
6	28433-Z2E-003	GUIDE, RATCHET	1		
7	28441-Z2E-003	SPRING, FRICTION	1		
8	28442-Z7E-003	SPRING, RECOIL STARTER	1		
9	28443-ZH8-801	SPRING, RETURN	2		
10	28461-Z2E-003	KNOB, RECOIL STARTER	1		
11	28462-Z7B-003	ROPE, RECOIL STARTER	1		
12	90003-ZH8-801	SCREW, SETTING	1		
13	90008-ZE2-003	BOLT, FLANGE, 6X10	3		

E-12

FAN COVER

C11



Z7B0E1200

Ref. No.	L.O.N.	(Relative ref. Number) Description	F.R.T.
2	1141G8	COVER, ENGINE COOLING FAN	0.2
4	6151D9	SWITCH, ENGINE STOP	0.1

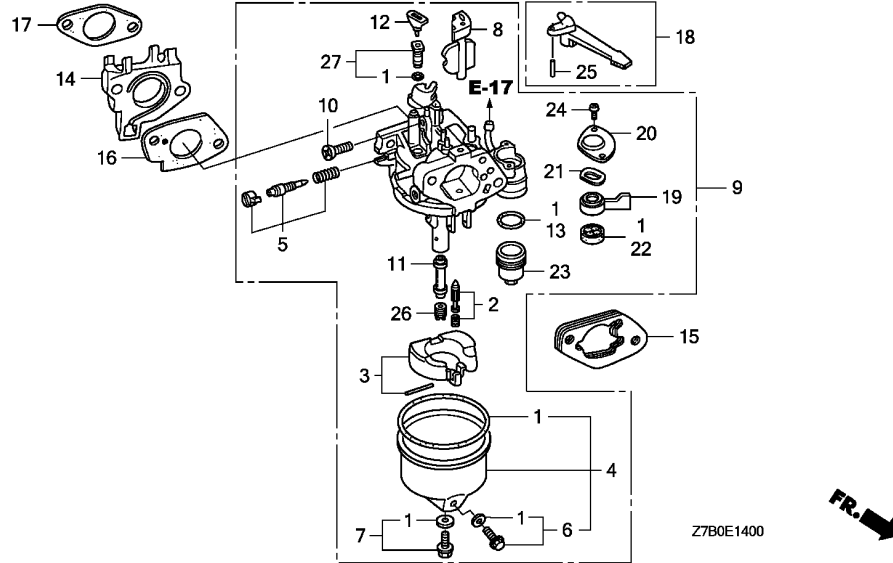
Ref. No.	Part No.	Description	Reqd. QTY	Serial No.	Parts catalogue code
			GX 270 H		
1	16731-Z7E-000	CLIP, TUBE	1		
2	19610-Z7B-000ZA	COVER COMP., FAN *R280*.....POWER RED	1		
3	19631-ZE2-D00	SHROUD	1		
4	36100-ZE1-015	SWITCH ASSY., ENGINE STOP ...	1		
5	90013-883-000	BOLT, FLANGE, 6X12(CT200) ...	6		

2

E-14

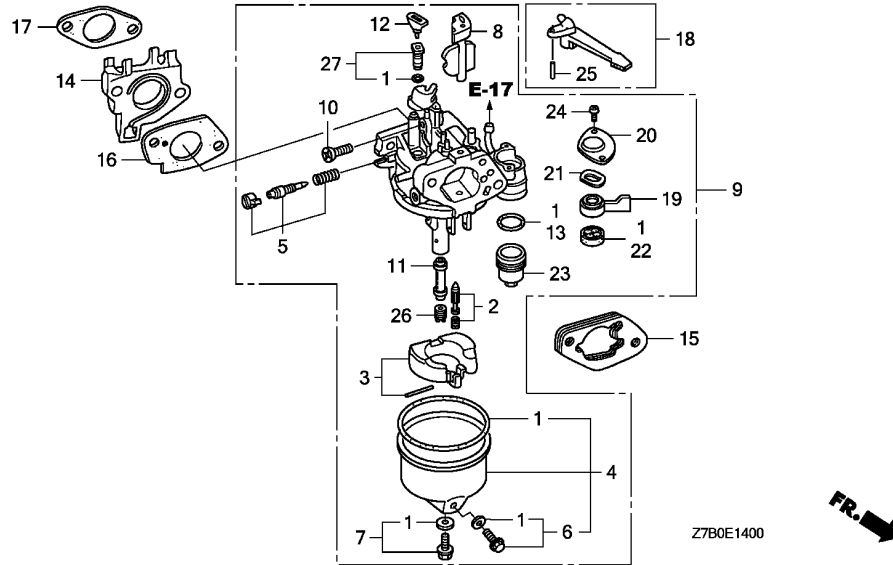
CARBURETOR

C12



Ref. No.	L.O.N.	(Relative ref. Number) Description	F.R.T.
1	3111B1	GASKET SET, CARBURETOR	0.3
2	3111E1	VALVE SET, FLOAT AND/OR FLOAT SET	0.3
4	3111A3	CHAMBER SET, FLOAT AND/OR GASKET, FLOAT CHAMBER	0.2
5	3111D7	SCREW SET, PILOT	0.2
9	3111F3	CARBURETOR	0.2
13	3101L6	PACKING, FUEL STRAINER CUP ... (21,23)	0.2
14	3111C0	INSULATOR, CARBURETOR AND/OR PACKING, INSULATOR	0.2
15	3111D9	SPACER, CARBURETOR	0.2
16	3111C8	PACKING, CARBURETOR	0.2
18	8101F9	LEVER, CARBURETOR CHOKE	0.2
22	3101C5	PACKING, FUEL COCK	0.2
26	3111C3	JET, MAIN	0.3

Ref. No.	Part No.	Description	Reqd. QTY	Serial No.	Parts catalogue code
			GX 270 H		
1	16010-ZE2-812	GASKET SET (INCLUDE 16173-001-004)	1		
2	16011-ZA0-931	VALVE SET, FLOAT	1		
3	16013-Z1C-003	FLOAT SET	1		
4	16015-ZE8-005	CHAMBER SET, FLOAT	1		
5	16016-ZH7-W01	SCREW SET, PILOT	1	-----	LH,SH
	16016-ZH8-W01	SCREW SET	1	-----	LW,QD,RD,SD
6	16024-ZE1-811	SCREW SET, DRAIN	1	-----	LH,SH
7	16028-ZE0-005	SCREW SET	1		
8	16044-ZE2-005	CHOKE SET	1		
9	16100-Z7B-811	CARBURETOR ASSY. (BE70L A) ..	1	-----	LH,SH
	16100-Z7B-821	CARBURETOR ASSY. (BE75H A) ..	1	-----	LW,QD,RD,SD
10	16124-ZE0-005	SCREW, THROTTLE STOP	1		
11	16166-ZH9-W20	NOZZLE, MAIN	1	-----	LH,SH
	16166-ZH9-820	1	-----	LW,QD,RD,SD
12	16172-ZE3-W10	COLLAR, SETTING	1	-----	LH,SH
13	16173-001-004	PACKING, FUEL STRAINER CUP ..	1		
14	16211-Z7B-000	INSULATOR, CARBURETOR	1		
15	16220-ZA0-702	SPACER COMP., CARBURETOR	1		
16	16221-ZA0-800	PACKING, CARBURETOR	1		
17	16223-ZA0-800	PACKING, INSULATOR	1		
18	16610-ZE1-000	LEVER COMP., CHOKE (STD.) ...	1		
19	16953-ZE1-812	LEVER, COCK	1		
20	16954-ZE1-812	PLATE, LEVER SETTING	1		
21	16956-ZE1-811	SPRING, COCK LEVER	1		

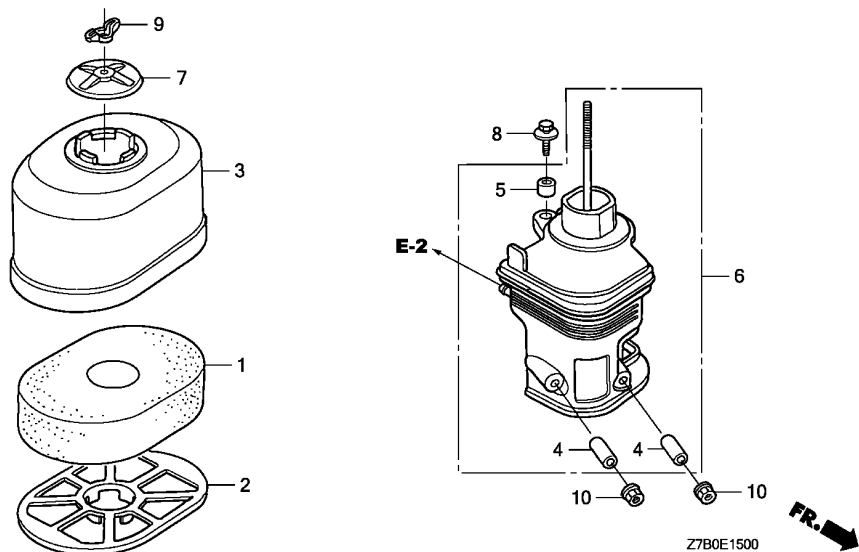


Ref. No.	Part No.	Description	Reqd. QTY		Serial No.	Parts catalogue code
			GX	H		
22	16957-ZE1-812	PACKING, FUEL COCK	1			
23	16967-ZE0-811	CUP, FUEL STRAINER	1			
24	93500-03006-1H	SCREW, PAN, 3X6	2			
25	94305-20122	PIN, SPRING, 2X12	1			
26	99101-ZH8-0800	JET, MAIN, #80	(1)		----- LH,SH	
	99101-ZH8-0820	JET, MAIN, #82	(1)		----- LH,SH	
	99101-ZH8-0850	JET, MAIN, #85	1		----- LH,SH	
	99101-ZH8-0880	JET, MAIN, #88	(1)		----- LW,QD,RD,SD	
	99101-ZH8-0880	JET, MAIN, #88	1		----- LW,QD,RD,SD	
27	99204-ZE2-0400	JET SET, PILOT, #40	1			

E-15

AIR CLEANER(SEMI DRY)

C14



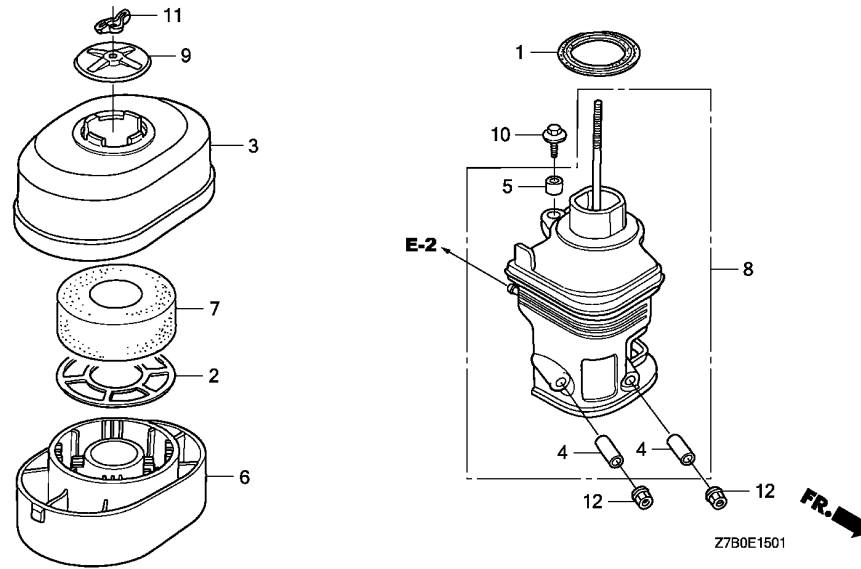
Ref. No.	L.O.N.	(Relative ref. Number) Description	F.R.T.
1		(2)	
3121B8		ELEMENT, AIR CLEANER	0.1
6 3121B4		ELBOW, AIR CLEANER	0.1

Ref. No.	Part No.	Description	Reqd. QTY	Serial No.	Parts catalogue code
			GX 270 H		
1	17211-ZE2-000	ELEMENT, AIR CLEANER (SEMI DRY)	1	-----	QD,RD,SD
2	17212-ZE2-000	GRID, AIR CLEANER	1	-----	QD,RD,SD
3	17231-ZE2-000	COVER, AIR CLEANER (SEMI DRY)	1	-----	QD,RD,SD
4	17238-ZE2-310	COLLAR, AIR CLEANER	2	-----	QD,RD,SD
5	17239-ZE1-000	COLLAR B, AIR CLEANER	1	-----	QD,RD,SD
6	17410-ZE2-020	ELBOW COMP., AIR CLEANER	1	-----	QD,RD,SD
7	17420-ZE2-000	CAP COMP., AIR CLEANER	1	-----	QD,RD,SD
8	90009-ZE2-003	BOLT-WASHER, 6X22	1	-----	QD,RD,SD
9	90325-044-000	NUT, TOOL BOX SETTING	1	-----	QD,RD,SD
10	94050-06000	NUT, FLANGE, 6MM	2	-----	QD,RD,SD

E-15-1

AIR CLEANER(OIL BATH)

C15



Ref. No.	L.O.N.	(Relative ref. Number) Description	F.R.T.
1	3121E1	PACKING, ELBOW	0.1
6	3121E5	PAN, AIR CLEANER OIL	0.1
7		(2)	
	3121B8	ELEMENT, AIR CLEANER	0.1
8	3121B4	ELBOW, AIR CLEANER	0.1

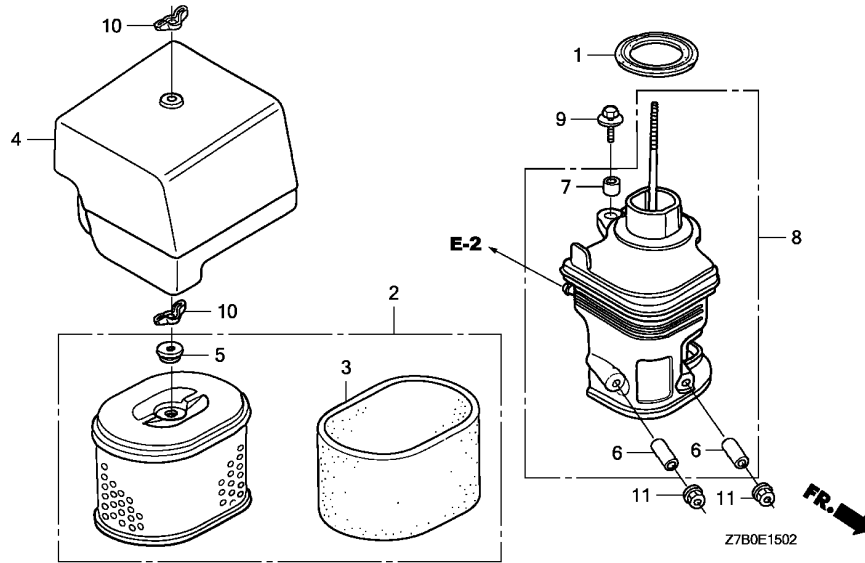
Ref. No.	Part No.	Description	Reqd. QTY	Serial No.	Parts catalogue code
			GX 270 H		
1	16271-ZE2-010	PACKING, ELBOW	1	-----	LW
2	17212-ZE2-810	GRID, AIR CLEANER (OIL BATH)	1	-----	LW
3	17231-ZE2-810	COVER, AIR CLEANER (OIL BATH)	1	-----	LW
4	17238-ZE2-310	COLLAR, AIR CLEANER	2	-----	LW
5	17239-ZE1-000	COLLAR B, AIR CLEANER	1	-----	LW
6	17402-ZE2-810	PAN, CLEANER OIL (OIL BATH) -	1	-----	LW
7	17403-ZE2-810	ELEMENT, AIR CLEANER			
		(OIL BATH)	1	-----	LW
8	17410-ZE2-020	ELBOW COMP., AIR CLEANER	1	-----	LW
9	17420-ZE2-000	CAP COMP., AIR CLEANER	1	-----	LW
10	90009-ZE2-003	BOLT-WASHER, 6X22	1	-----	LW
11	90325-044-000	NUT, TOOL BOX SETTING	1	-----	LW
12	94050-06000	NUT, FLANGE, 6MM	2	-----	LW

2

E-15-2

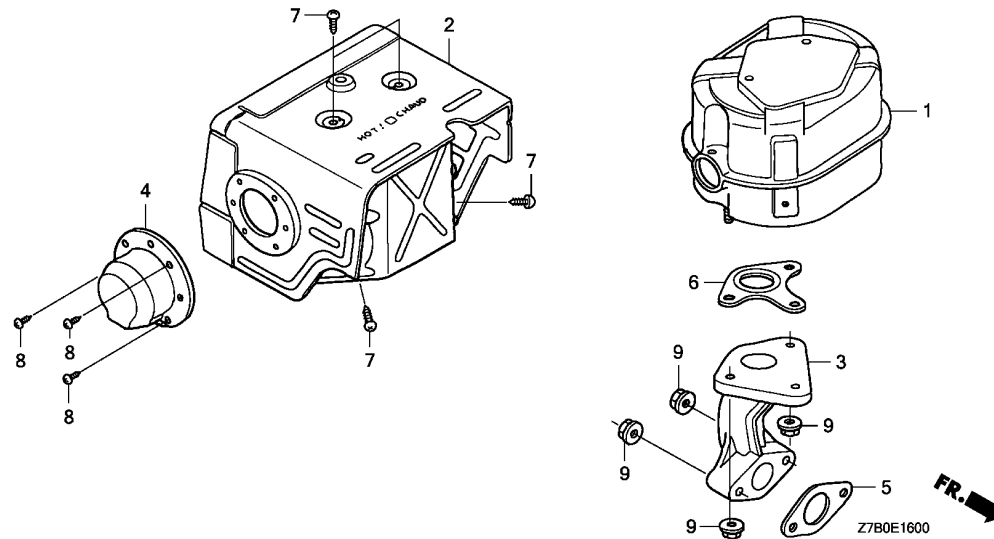
AIR CLEANER(DUAL)

C16



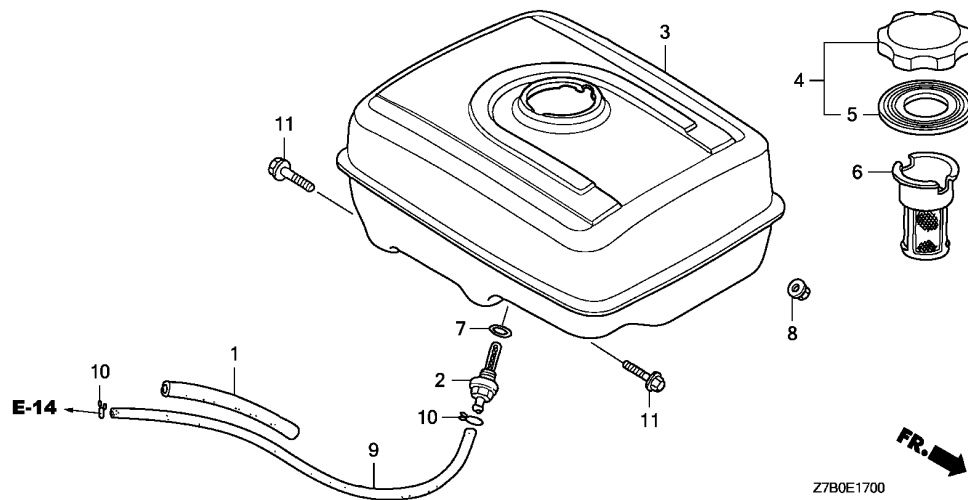
Ref. No.	L.O.N.	(Relative ref. Number) Description	F.R.T.
1	3121E1	PACKING, ELBOW	0.1
2	3121B8	ELEMENT, AIR CLEANER	0.1
3	3121C1	FILTER, OUTER	0.1
8	3121B4	ELBOW, AIR CLEANER	0.1

Ref. No.	Part No.	Description	Reqd. QTY	Serial No.	Parts catalogue code
			GX 270 H		
1	16271-ZE2-010	PACKING, ELBOW	1	-----	LH,SH
2	17210-ZE2-822	ELEMENT, AIR CLEANER (DUAL) .	1	-----	LH,SH
3	17218-ZE2-821	FILTER, OUTER	1	-----	LH,SH
4	17231-ZH9-820	COVER, AIR CLEANER	1	-----	LH,SH
5	17232-891-000	GROMMET, AIR CLEANER	1	-----	LH,SH
6	17238-ZE2-310	COLLAR, AIR CLEANER	2	-----	LH,SH
7	17239-ZE1-000	COLLAR B, AIR CLEANER	1	-----	LH,SH
8	17410-ZE2-020	ELBOW COMP., AIR CLEANER	1	-----	LH,SH
9	90009-ZE2-003	BOLT-WASHER, 6X22	1	-----	LH,SH
10	90325-044-000	NUT, TOOL BOX SETTING	2	-----	LH,SH
11	94050-06000	NUT, FLANGE, 6MM	2	-----	LH,SH



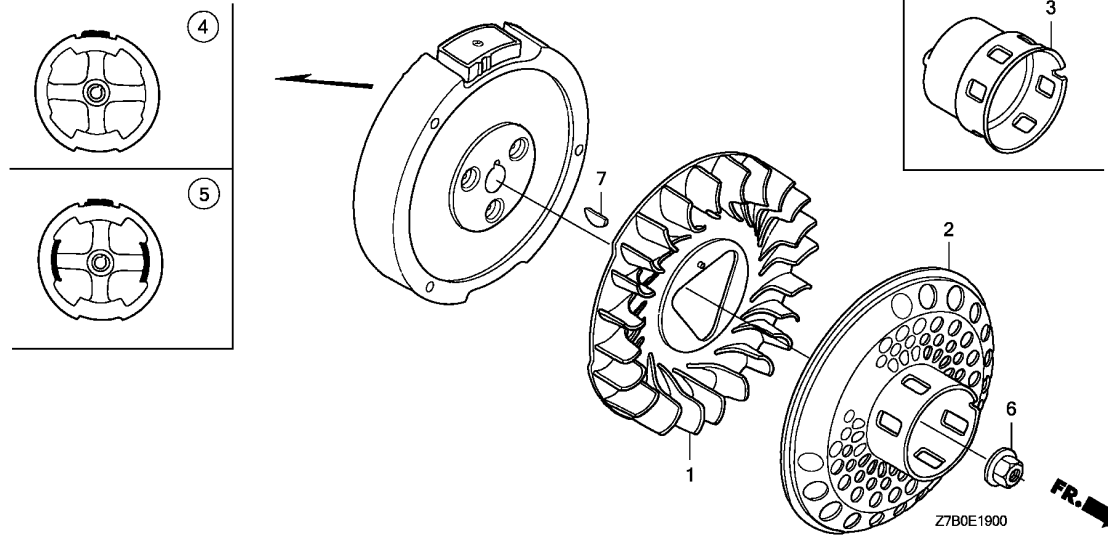
Ref. No.	L.O.N.	(Relative ref. Number) Description	F.R.T.
1	3131C5	MUFFLER, EXHAUST	0.2
2	3131D6	PROTECTOR, EXHAUST MUFFLER ...	0.2
3	3131C9	PIPE, EXHAUST	0.2
5	3131B5	GASKET, EXHAUST PIPE	0.2
6	3131B4	GASKET, EXHAUST MUFFLER	0.2

Ref. No.	Part No.	Description	Reqd. QTY	Serial No.	Parts catalogue code
			GX 270 H		
1	18310-ZE2-W00	MUFFLER COMP.	1		
2	18320-ZE2-W01	PROTECTOR COMP., MUFFLER (STD.)	1		
3	18330-ZE2-W00	PIPE, EX.	1		
4	18331-ZE2-810	CAP, MUFFLER	1	----- LW	
5	18333-ZE3-800	GASKET, EX. PIPE	1		
6	18381-ZE2-800	GASKET, MUFFLER	1		
7	90050-ZE1-000	SCREW, TAPPING, 5X8	4		
8	90055-ZE1-000	SCREW, TAPPING, 4X6	3	----- LW	
9	94050-08000	NUT, FLANGE, 8MM	5		



Ref. No.	L.O.N.	(Relative ref. Number) Description	F.R.T.
2		(7)	
2	3101H6	JOINT, FUEL STRAINER	0.2
3	3101H7	TANK, FUEL	0.2
6	3101A6	FILTER, FUEL	0.1
9	3101F1	TUBE, FUEL TANK	0.2

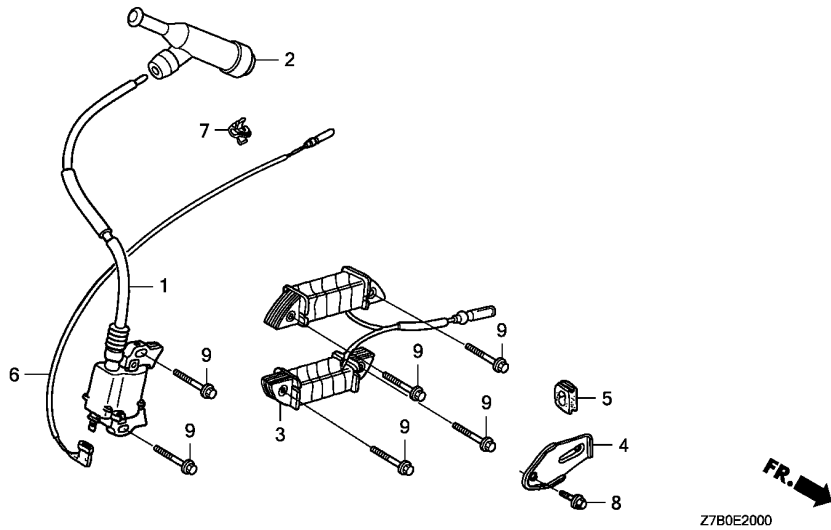
Ref. No.	Part No.	Description	Reqd. QTY	Serial No.	Parts catalogue code
			GX 270 H		
1	16854-ZH8-000	RUBBER, SUPPORTER (107MM) ...	1		
2	16955-ZE1-000	JOINT, FUEL TANK	1		
3	17510-ZE2-801ZC	TANK COMP., FUEL *NH31*.....MCKINLEY WHITE	1		
4	17620-Z1T-800	CAP COMP., FUEL FILLER (CHROME PLATED)	1		
5	17631-Z1T-800	PACKING, FUEL FILLER CAP (39X62X3)	1		
6	17672-ZE2-W01	FILTER, FUEL	1	----- LW	
7	91353-671-004	O-RING, 14MM(NOK)	1		
8	94050-08000	NUT, FLANGE, 8MM	2		
9	95001-45222-40	TUBE, FUEL, 4.5X222 (95001-45001-60M)	1		
10	95002-02080	CLIP, TUBE (B8)	2		
11	95701-08025-00	BOLT, FLANGE, 8X25	2		



Ref. No.	L.O.N.	(Relative ref. Number) Description	F.R.T.
1	1141G7	FAN, ENGINE COOLING (3)	0.2
2	1121A9	PULLEY, RECOIL STARTER (5)	0.2
4	2161B5	FLYWHEEL	0.3

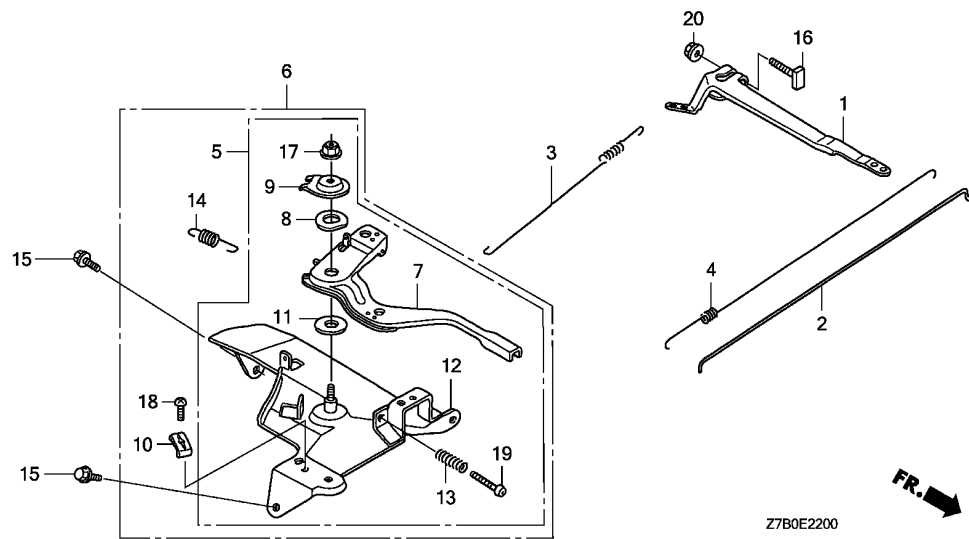
Ref. No.	Part No.	Description	Reqd. QTY	Serial No.	Parts catalogue code
			GX 270 H		
1	19511-Z7B-000	FAN, COOLING	1		
2	28450-Z7B-000	PULLEY COMP., STARTER	1	----- LH,LW,SH	
3	28451-Z7B-000	PULLEY, STARTER	1	----- QD,RD,SD	
4	31110-Z7B-801	FLYWHEEL COMP.	1	----- LH,QD,RD,SD,SH	
5	31110-Z7B-811	FLYWHEEL COMP. (LAMP)	1	----- LW	
6	90201-ZE3-V00	NUT, SPECIAL, 16MM	1		
7	90741-ZE2-000	KEY, SPECIAL WOODRUFF, 25X18	1		





Ref. No.	L.O.N.	(Relative ref. Number) Description	F.R.T.
1	6141A5	COIL, IGNITION(ONE)	0.3
2	6141B8	TERMINAL, HIGH TENSION	0.1
3	6141A6	COIL, LAMP	0.3
6	6111B3	CORD, STOP SWITCH	0.3

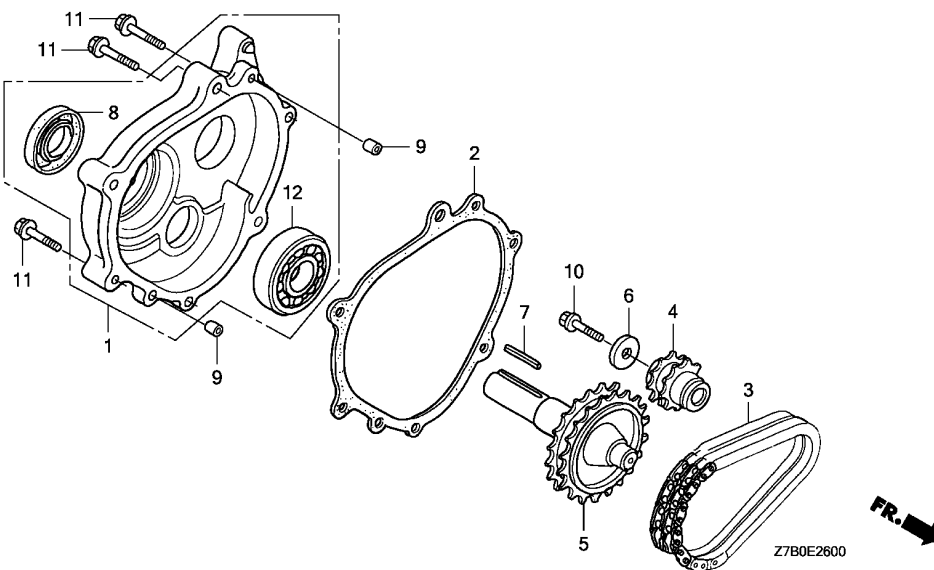
Ref. No.	Part No.	Description	Reqd. QTY	Serial No.	Parts catalogue code
			GX 270 H		
1	30500-Z7E-003	COIL ASSY., IGNITION	1		
2	30700-Z1T-003	CAP ASSY., NOISE SUPPRESSOR	1		
3	31510-ZE2-811	COIL ASSY., LAMP (12V/50W) ..	1	----- LW	
4	31511-Z7B-000	CLAMPER, CORD	1	----- LW	
5	31512-ZE2-000	GROMMET, CORD	1		
6	36101-ZE1-010	CORD, STOP SWITCH (370MM) ...	1		
7	36103-ZE1-000	HOLDER, STOP SWITCH CORD ...	1		
8	90013-883-000	BOLT, FLANGE, 6X12(CT200) ...	1	----- LW	
9	90015-883-000	BOLT, FLANGE, 6X28	2	----- LH,QD,RD,SD,SH	
			6	----- LW	



Ref. No.	L.O.N.	(Relative ref. Number) Description	F.R.T.
1	1161A0	ARM, GOVERNOR	0.2
2	1161B1	ROD, GOVERNOR	0.3
3	1161C5	SPRING, GOVERNOR	0.2
4	1161C2	SPRING, THROTTLE RETURN	0.3
5	1161A5	CONTROL, THROTTLE/GOVERNOR ...	0.2
7	1161A8	LEVER, CONTROL	0.3
12	1161A2	BASE, CONTROL	0.3

Ref. No.	Part No.	Description	Reqd. QTY	Serial No.	Parts catalogue code
			GX 270 H		
1	16551-ZE2-000	ARM, GOVERNOR	1		
2	16555-ZE2-000	ROD, GOVERNOR	1		
3	16561-ZE2-000	SPRING, GOVERNOR	1		
4	16562-ZE2-000	SPRING, THROTTLE RETURN	1		
5	16570-ZE2-W00	CONTROL ASSY.	1	-----	----- QD,RD,SD
6	16570-ZE2-W20	CONTROL ASSY. (REMOTE)	1	-----	----- LH,LW,SH
7	16571-ZE2-W00	LEVER, CONTROL	1		
8	16574-ZE1-000	SPRING, LEVER	1		
9	16575-ZE2-W00	WASHER, CONTROL LEVER	1		
10	16576-891-000	HOLDER, CABLE	1	-----	----- LH,LW,SH
11	16578-ZE1-000	SPACER, CONTROL LEVER	1		
12	16581-ZE2-W00	BASE COMP., CONTROL (###) ...	1		
13	16584-883-300	SPRING, CONTROL ADJUSTING ...	1		
14	16592-883-310	SPRING, CABLE RETURN	1	-----	----- LH,LW,SH
15	90013-883-000	BOLT, FLANGE, 6X12(CT200) ...	2		
16	90015-ZE5-010	BOLT, GOVERNOR ARM	1		
17	90114-SAO-000	NUT, SELF-LOCK, 6MM	1		
18	93500-05016-0A	SCREW, PAN, 5X16	1	-----	----- LH,LW,SH
19	93500-05028-0A	SCREW, PAN, 5X28	1		
20	94050-06000	NUT, FLANGE, 6MM	1		





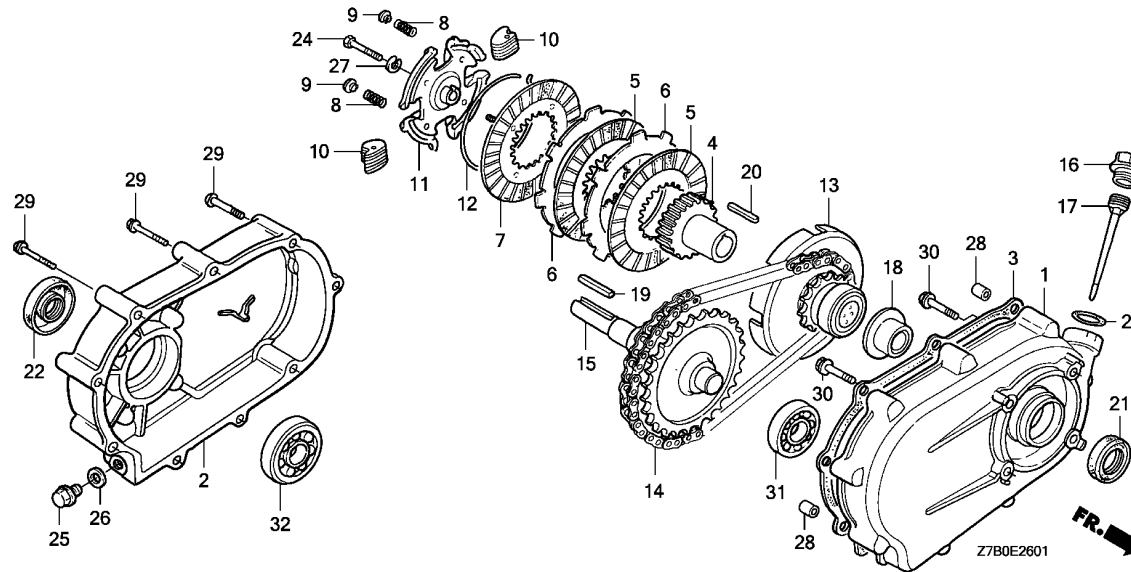
Ref. No.	L.O.N.	(Relative ref. Number) Description	F.R.T.
1		(2)	
2141W9		COVER, CHAIN CASE AND/OR PACKING, CHAIN CASE COVER (L-TYPE)	0.2
3 2141W2		CHAIN, POWER TAKE OFF DRIVE (L-TYPE)	0.2
4 2141X0		SPROCKET, POWER TAKE OFF DRIVE CHAIN(L-TYPE)	0.2
5 2141V7		SHAFT, POWER TAKE OFF(L-TYPE)	0.2
8 2141X3		OIL SEAL, POWER TAKE OFF SHAFT (L-TYPE) :REAR	0.3
12 2141X8		BEARING, POWER TAKE OFF SHAFT (L-TYPE) :REAR	0.4

Ref. No.	Part No.	Description	Reqd. QTY	Serial No.	Parts catalogue code
			GX 270 H		
1	11500-Z7B-000	COVER ASSY., CHAIN CASE	1	-----	LH,LW
2	11521-ZE2-800	PACKING, CHAIN CASE COVER ...	1	-----	LH,LW
3	14411-ZE2-611	CHAIN, P.T.O. DRIVE	1	-----	LH,LW
4	23110-ZE2-610	SPROCKET, DRIVE (14T)	1	-----	LH,LW
5	23710-ZE2-610	SHAFT, P.T.O. (28T)	1	-----	LH,LW
6	90473-842-000	WASHER, 8MM	1	-----	LH,LW
7	90741-805-000	KEY, 7X7X33	1	-----	LH,LW
	90741-889-810	KEY, 7X7X33 (YELLOW)	(1)	-----	LH,LW
8	91201-Z7B-003	OIL SEAL, 30X46X8	1	-----	LH,LW
9	94301-08140	DOWEL PIN, 8X14	2	-----	LH,LW
10	95701-08025-00	BOLT, FLANGE, 8X25	1	-----	LH,LW
11	95701-08040-00	BOLT, FLANGE, 8X40	6	-----	LH,LW
12	96100-62060-00	BEARING, RADIAL BALL, 6206 ..	1	-----	LH,LW

E-26-1

REDUCTION(1/2)(CLUTCH)

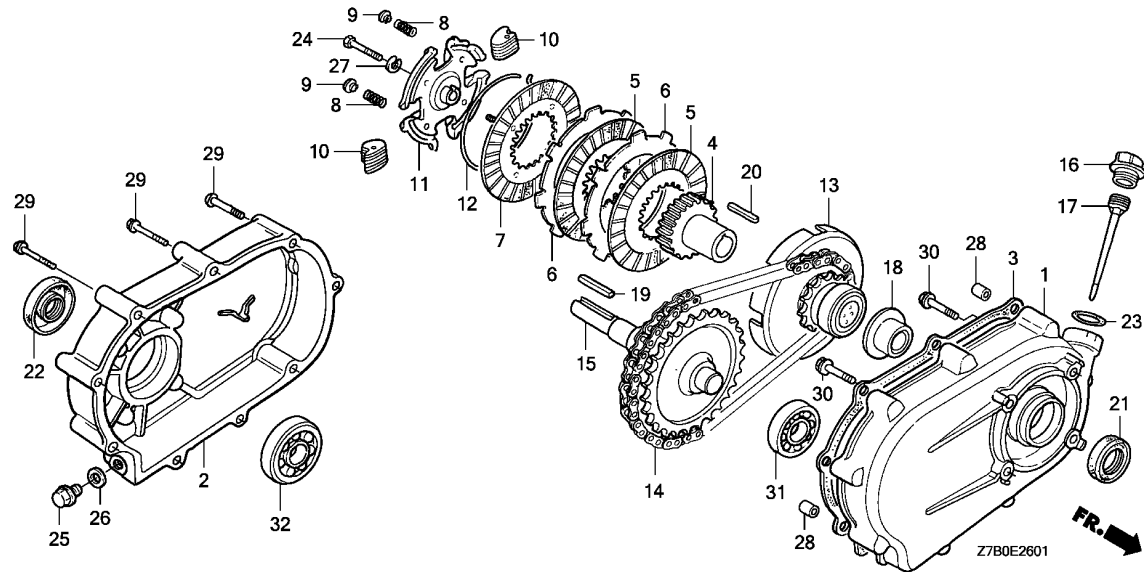
D 7



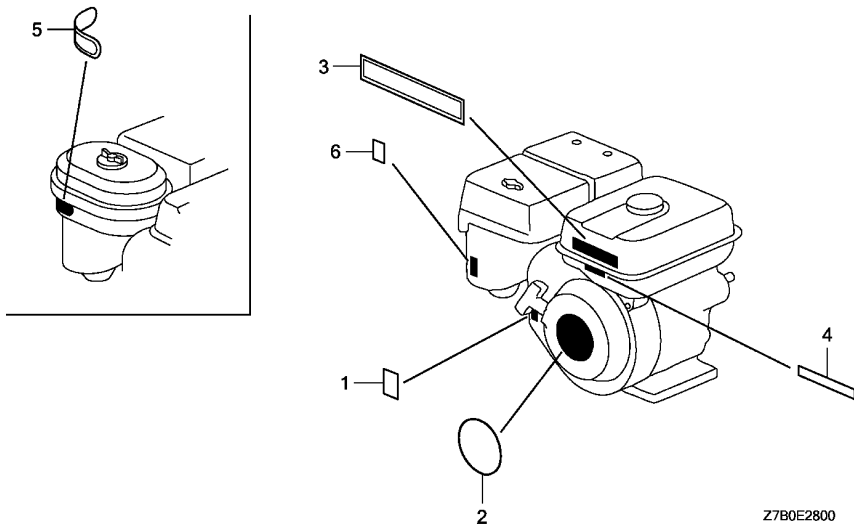
Ref. No.	L.O.N.	(Relative ref. Number) Description	F.R.T.
1	2141Y6	CASE, REDUCTION(R-TYPE)	0.3
2	2141R1	COVER, REDUCTION	0.3
3	2141R2	PACKING, REDUCTION COVER	0.2
5	2141Z0	DISC, REDUCTION CLUTCH FRICTION	0.2
6	2141Z1	PLATE, REDUCTION CLUTCH	0.2
7	2141Z2	PLATE, REDUCTION CLUTCH PRESSURE	0.3
13	2141X1	SPROCKET, POWER TAKE OFF DRIVE CHAIN(R-TYPE)	0.3
14	2141W3	CHAIN, POWER TAKE OFF DRIVE (R-TYPE)	0.3
15	2141V8	SHAFT, POWER TAKE OFF(R-TYPE)	0.3
21	2141L4	OIL SEAL, POWER TAKE OFF SHAFT :FRONT	0.3
22	2141X4	OIL SEAL, POWER TAKE OFF SHAFT (R-TYPE) :REAR	0.3
31	2141Y5	BEARING, POWER TAKE OFF SHAFT (R-TYPE) :FRONT	0.4
	2141X9	BEARING, POWER TAKE OFF SHAFT (R-TYPE) :REAR	0.4
32	2141Y5	BEARING, POWER TAKE OFF SHAFT (R-TYPE) :FRONT	0.4
	2141X9	BEARING, POWER TAKE OFF SHAFT (R-TYPE) :REAR	0.4

Ref. No.	Part No.	Description	Reqd. QTY	Serial No.	Parts catalogue code
			GX 270 H		
1	21510-889-750	CASE, REDUCTION	1	-----	RD
2	21610-889-750	COVER, REDUCTION	1	-----	RD
3	21691-889-750	PACKING, REDUCTION COVER	1	-----	RD
4	22121-889-750	CENTER, CLUTCH	1	-----	RD
5	22201-822-610	DISK, CLUTCH FRICTION	2	-----	RD
6	22311-822-610	PLATE, CLUTCH	2	-----	RD
7	22350-822-610	PLATE COMP., CLUTCH PRESSURE	1	-----	RD
8	22411-822-611	SPRING, CLUTCH FREE	4	-----	RD
9	22421-822-610	HOLDER, CLUTCH SPRING	4	-----	RD
10	22521-822-610	WEIGHT, CLUTCH	48	-----	RD
11	22531-889-750	HOLDER, CLUTCH WEIGHT	1	-----	RD
12	22535-822-610	CENTER, CLUTCH WEIGHT	1	-----	RD
13	23120-889-750	SPROCKET COMP., DRIVE (14T) -	1	-----	RD
14	23161-822-611	CHAIN, DRIVE (RK428SH-36LE) -	1	-----	RD
15	23711-822-610	SHAFT COMP., P.T.O. (28T) ...	1	-----	RD
16	25620-805-612	CAP, REDUCTION OIL (GRAY) ...	1	-----	RD
17	25651-889-750	GAUGE, OIL LEVEL	1	-----	RD
18	90403-889-000	WASHER, THRUST, 25MM	1	-----	RD
19	90741-805-000	KEY, 7X7X33	1	-----	RD
	90741-889-810	KEY, 7X7X33 (YELLOW)	(1)	-----	RD
20	90741-889-000	KEY, CLUTCH CENTER	1	-----	RD
21	91201-890-003	OIL SEAL, 30X46X8	1	-----	RD
22	91202-22F-801	OIL SEAL, 30X50X7	1	-----	RD
23	91301-805-000	O-RING, 26X2.7	1	-----	RD
24	92101-08035-0A	BOLT, HEX., 8X35	1	-----	RD

2



Ref. No.	Part No.	Description	Reqd. QTY		Serial No.	Parts catalogue code
			GX	H		
25	92800-12000	BOLT, DRAIN PLUG, 12MM	1	-----	-----	RD
26	94109-12000	WASHER, DRAIN PLUG, 12MM	1	-----	-----	RD
27	94111-08800	WASHER, SPRING, 8MM	1	-----	-----	RD
28	94301-08140	DOWEL PIN, 8X14	2	-----	-----	RD
29	95701-06050-08	BOLT, FLANGE, 6X50	9	-----	-----	RD
30	95701-08032-08	BOLT, FLANGE, 8X32	4	-----	-----	RD
31	96100-62050-00	BEARING, RADIAL BALL, 6205 ..	1	-----	-----	RD
32	96100-62060-00	BEARING, RADIAL BALL, 6206 ..	1	-----	-----	RD

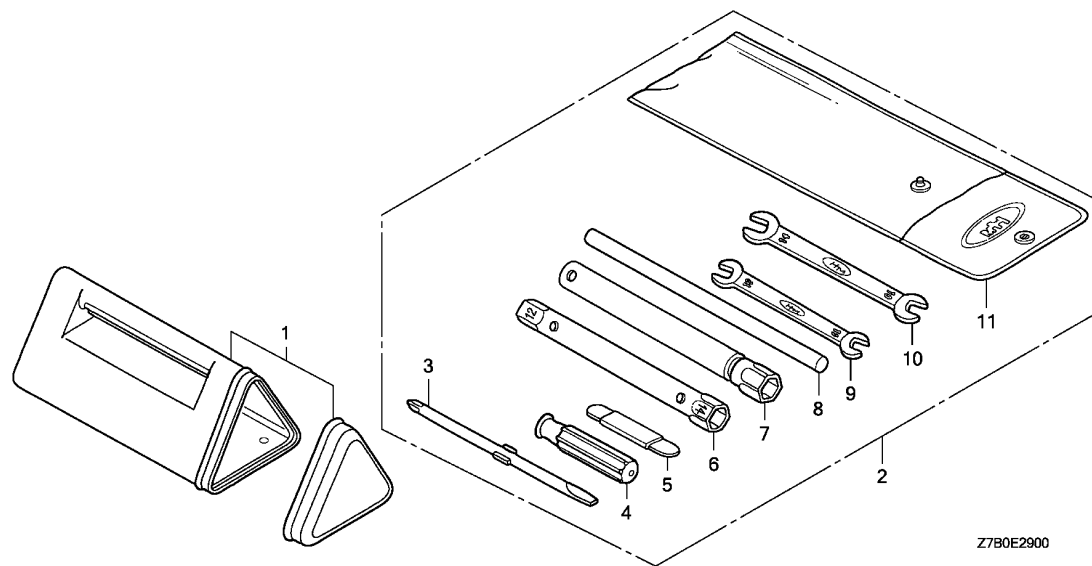


Ref. No.	L.O.N.	(Relative ref. Number)	Description	F.R.T.
----------	--------	------------------------	-------------	--------

NO INFORMATION

Ref. No.	Part No.	Description	Reqd. QTY	Serial No.	Parts catalogue code
			GX 270 H		
1	87114-ZH7-000	LABEL, WARNING (NOT CERTIFIED FOR SALE)	1		
2	87521-ZH9-040	EMBLEM (GX270)	1		
3	87522-ZH9-010	LABEL, CAUTION (ENGLISH, ETC.)	1		
4	87522-Z1T-J00	LABEL, CAUTION (CHINA)	1		
5	87524-Z7E-000	MARK, AIR CLEANER CAUTION (OIL BATH)	1	----- LW	
6	87528-Z7E-000	MARK, CHOKE	1		





Ref. L.O.N. (Relative ref. Number) F.R.T.
No. Description

NO INFORMATION

2

Ref. No.	Part No.	Description	Reqd. QTY	Serial No.	Parts catalogue code
			GX 270 H		
1	83501-ZF1-000	BOX, TOOL	1	-----	LW
2	89001-ZF1-000	BAG SET, TOOL	1	-----	LW
3	89102-538-000	DRIVER, SCREW (NO.2 + -)	1	-----	LW
4	89103-538-000	GRIP	1	-----	LW
5	89210-ZF1-000	GAUGE ASSY., THICKNESS	1	-----	LW
6	89216-ZF1-000	WRENCH, BOX	1	-----	LW
7	89218-ZE1-000	WRENCH COMP., SPARK PLUG	1	-----	LW
8	89219-805-000	HANDLE, BOX WRENCH	1	-----	LW
9	99001-10120	SPANNER, 10X12	1	-----	LW
10	99001-10140	SPANNER, 10X14	1	-----	LW
11	99008-02300	BAG, TOOL, 230MM	1	-----	LW

PART NO. INDEX

E 1

Part Number	Address	Page	Ref.	Part Number	Address	Page	Ref.	Part Number	Address	Page	Ref.	Part Number	Address	Page	Ref.
11000				14781-Z7E-000	C7	23	14	16578-ZE1-000	D5	37	11	21000			
11300-Z7B-000	C3	19	1	14791-Z7E-000	C7	23	15	16581-ZE2-W00	D5	37	12	36000			
11300-Z7B-800	C3	19	1	15000				16584-883-300	D5	37	13	21510-889-750	D7	39	1
11300-Z7B-810	C4	20	1					16592-883-310	D5	37	14	21610-889-750	D7	39	2
11381-ZE2-801	C3	19	2	15600-Z1T-600	C3	19	3	16610-ZE1-000	C12	28	18	21691-889-750	D7	39	3
	C4	20	2					16731-Z7E-000	C11	27	1				
11500-Z7B-000	D6	38	1	15600-Z7E-000	C3	19	4	16854-ZH8-000	D2	34	1	22000			
11521-ZE2-800	D6	38	2					16953-ZE1-812	C12	28	19	83000			
				15625-Z0T-800	C3	19	5	16954-ZE1-812	C12	28	20	22121-889-750	D7	39	4
								16955-ZE1-000	D2	34	2	22201-822-610	D7	39	5
				15625-Z1T-000	C3	19	6	16956-ZE1-811	C12	28	21	22311-822-610	D7	39	6
12000								16957-ZE1-812	C13	29	22	22350-822-610	D7	39	7
12000-Z7B-800	C2	18	1					16967-ZE0-811	C13	29	23	22411-822-611	D7	39	8
12200-Z7B-000	C1	17	1	16000								22421-822-610	D7	39	9
12204-ZE2-306	C1	17	2					17000				22521-822-610	D7	39	10
12205-ZE2-305	C1	17	3	16010-ZE2-812	C12	28	1	17210-ZE2-822	C16	32	2	22531-889-750	D7	39	11
12209-Z7E-003	C7	23	1	16011-ZA0-931	C12	28	2	17211-ZE2-000	C14	30	1	22535-822-610	D7	39	12
12216-ZE2-300	C1	17	4	16013-Z1C-003	C12	28	3	17212-ZE2-000	C14	30	2				
12251-ZH9-000	C1	17	5	16015-ZE8-005	C12	28	4	17212-ZE2-810	C15	31	2	23000			
12310-ZE2-020	C1	17	6	16016-ZH7-W01	C12	28	5	17218-ZE2-821	C16	32	3	23110-ZE2-610	D6	38	4
12391-ZE2-020	C1	17	7	16016-ZH8-W01	C12	28	5	17231-ZE2-000	C14	30	3	23120-889-750	D7	39	13
				16024-ZE1-811	C12	28	6	17231-ZE2-810	C15	31	3	23161-822-611	D7	39	14
13000				16028-ZE0-005	C12	28	7	17231-ZH9-820	C16	32	4	23710-ZE2-610	D6	38	5
13010-ZE8-601	C6	22	1	16044-ZE2-005	C12	28	8	17232-891-000	C16	32	5	23711-822-610	D7	39	15
13010-ZE8-602	C6	22	1	16100-Z7B-811	C12	28	9	17238-ZE2-310	C14	30	4				
13011-ZE8-601	C6	22	1	16100-Z7B-821	C12	28	9					25000			
13011-ZE8-602	C6	22	1	16124-ZE0-005	C12	28	10	17239-ZE1-000	C14	30	5	25620-805-612	D7	39	16
13012-ZE8-601	C6	22	1	16166-ZH9-820	C12	28	11					25651-889-750	D7	39	17
13012-ZE8-602	C6	22	1	16166-ZH9-W20	C12	28	11	17402-ZE2-810	C15	31	6	28000			
13013-ZE8-601	C6	22	1	16172-ZE3-W10	C12	28	12	17403-ZE2-810	C15	31	7	28400-Z7B-003ZA	C10	26	1
13013-ZE8-602	C6	22	1	16173-001-004	C12	28	13	17410-ZE2-020	C14	30	6	28410-Z7B-003ZA	C10	26	2
13101-ZH9-000	C6	22	2	16211-Z7B-000	C12	28	14					28420-Z7B-003	C10	26	3
13102-ZH9-000	C6	22	2	16220-ZA0-702	C12	28	15	17420-ZE2-000	C14	30	7	28422-ZH8-801	C10	26	4
13103-ZH9-000	C6	22	2	16221-ZA0-800	C12	28	16					28431-ZH8-801	C10	26	5
13104-ZH9-000	C6	22	2	16223-ZA0-800	C12	28	17	17510-ZE2-801ZC	D2	34	3	28433-Z2E-003	C10	26	6
13111-Z7B-000	C6	22	3	16271-ZE2-010	C15	31	1	17620-Z1T-800	D2	34	4	28441-Z2E-003	C10	26	7
13200-Z1D-000	C6	22	4					17631-Z1T-800	D2	34	5	28442-Z7E-003	C10	26	8
13200-ZE2-305	C6	22	4	16510-Z7B-000	C3	19	7	17672-ZE2-W01	D2	34	6	28443-ZH8-801	C10	26	9
13310-Z7B-000	C5	21	1									28450-Z7B-000	D3	35	2
13310-Z7B-800	C5	21	2	16511-ZE2-000	C3	19	8	18000				28451-Z7B-000	D3	35	3
13310-Z7B-820	C5	21	3					18310-ZE2-W00	D1	33	1	28461-Z2E-003	C10	26	10
				16512-Z7B-000	C3	19	9	18320-ZE2-W01	D1	33	2	28462-Z7B-003	C10	26	11
								18330-ZE2-W00	D1	33	3				
14000				16513-ZE2-000	C3	19	10	18331-ZE2-810	D1	33	4	30000			
14100-ZE3-020	C7	23	2					18333-ZE3-800	D1	33	5	30500-Z7E-003	D4	36	1
14100-ZH9-010	C7	23	2	16531-Z0A-000	C3	19	11	18381-ZE2-800	D1	33	6	30700-Z1T-003	D4	36	2
14410-Z7B-000	C7	23	3									31000			
14411-ZE2-611	D6	38	3	16541-Z7B-000	C2	18	2	19511-Z7B-000	D3	35	1	31110-Z7B-801	D3	35	4
14431-ZE2-010	C7	23	4	16551-ZE2-000	D5	37	1	19610-Z7B-000ZA	C11	27	2	31110-Z7B-811	D3	35	5
14441-Z7E-000	C7	23	5	16555-ZE2-000	D5	37	2	19631-ZE2-D00	C11	27	3	31510-ZE2-811	D4	36	3
14451-Z7E-000	C7	23	6	16561-ZE2-000	D5	37	3					31511-Z7B-000	D4	36	4
14568-ZE1-000	C7	23	7	16562-ZE2-000	D5	37	4	19000				31512-ZE2-000	D4	36	5
14711-Z7B-000	C7	23	8	16570-ZE2-W00	D5	37	5								
14721-Z7B-000	C7	23	9	16570-ZE2-W20	D5	37	6								
14751-Z7E-000	C7	23	10	16571-ZE2-W00	D5	37	7								
14771-ZE2-000	C7	23	11	16574-ZE1-000	D5	37	8								
14773-ZE2-000	C7	23	12	16575-ZE2-W00	D5	37	9								
14775-ZE2-010	C7	23	13	16576-891-000	D5	37	10								



PART NO. INDEX

Part Number	Address	Page	Ref.	Part Number	Address	Page	Ref.	Part Number	Address	Page	Ref.	Part Number	Address	Page	Ref.
90602-ZE1-000	C3	19	12	95002-02080	D2	34	10								
	C4	20	12	95005-11100-30	C1	17	13								
90701-Z7E-000	C3	19	13	95701-06050-08	D8	40	29								
	C4	20	13	95701-08025-00	D2	34	11								
90741-805-000	C5	21	4		D6	38	10								
	D6	38	7	95701-08032-08	D8	40	30								
	D7	39	19	95701-08035-00	C3	19	16								
90741-889-000	D7	39	20		C4	20	15								
90741-889-810	C5	21	4	95701-08040-00	D6	38	11								
	D6	38	7	95725-10080-00	C1	17	14								
	D7	39	19												
90741-ZE2-000	D3	35	7	96000											
90745-ZE2-600	C5	21	4												
91000				96100-62040-00	C4	20	16								
				96100-62050-00	D8	40	31								
				96100-62060-00	C3	19	17								
91001-ZH9-003	C5	21	5		C4	20	17								
91201-890-003	D7	39	21		D6	38	12								
91201-Z7B-003	C2	18	5		D8	40	32								
	C3	19	14												
	D6	38	8	98000											
91202-Z2F-801	D7	39	22												
91301-805-000	D7	39	23	98079-55841	C1	17	15								
91353-671-004	D2	34	7	98079-55846	C1	17	15								
				98079-55854	C1	17	15								
92000				98079-55855	C1	17	15								
				98079-56846	C1	17	15								
92101-08035-0A	D7	39	24												
92800-12000	D8	40	25	99000											
92900-08032-0E	C1	17	11												
93000				99001-10120	D10	42	9								
				99001-10140	D10	42	10								
				99008-02300	D10	42	11								
93500-03006-1H	C13	29	24	99101-ZH8-0800	C13	29	26								
93500-05016-0A	D5	37	18	99101-ZH8-0820	C13	29	26								
93500-05028-0A	D5	37	19	99101-ZH8-0850	C13	29	26								
				99101-ZH8-0880	C13	29	26								
94000				99204-ZE2-0400	C13	29	27								
94050-06000	C14	30	10												
	C15	31	12												
	C16	32	11												
	D5	37	20												
94050-08000	D1	33	9												
	D2	34	8												
94101-06800	C3	19	15												
	C4	20	14												
94109-12000	C2	18	6												
	D8	40	26												
94111-08800	D8	40	27												
94251-10000	C2	18	7												
94301-08140	D6	38	9												
	D8	40	28												
94301-12200	C1	17	12												
94305-20122	C13	29	25												
95000															
95001-45222-40	D2	34	9												

PART NAME INDEX



Part name	Address	Page	Ref.	Part name	Address	Page	Ref.	Part name	Address	Page	Ref.
[A]				CASE COMP., RECOIL STARTER	C10	26	2	EMBLEM	D9	41	2
ARM, GOVERNOR	D5	37	1	CASE, REDUCTION	D7	39	1	[F]			
ARM, VALVE ROCKER	C7	23	4	CENTER, CLUTCH	D7	39	4	FAN, COOLING	D3	35	1
[B]				CENTER, CLUTCH WEIGHT	D7	39	12	FILTER, FUEL	D2	34	6
BAG SET, TOOL	D10	42	2	CHAIN, DRIVE	D7	39	14	FILTER, OUTER	C16	32	3
BAG, TOOL, 230MM	D10	42	11	CHAIN, P.T.O. DRIVE	D6	38	3	FLOAT SET	C12	28	3
BARREL ASSY., CYLINDER	C2	18	1	CHAMBER SET, FLOAT	C12	28	4	FLYWHEEL COMP.	D3	35	4
BASE COMP., CONTROL	D5	37	12	CHOKE SET	C12	28	8				5
BEARING, RADIAL BALL	C5	21	5	CLAMPER, CORD	D4	36	4	[G]			
BEARING, RADIAL BALL, 6204	C4	20	16	CLIP, GOVERNOR HOLDER	C3	19	12	GASKET SET	C12	28	1
BEARING, RADIAL BALL, 6205	D8	40	31		C4	20	12	GASKET, CYLINDER HEAD	C1	17	5
BEARING, RADIAL BALL, 6206	C3	19	17	CLIP, PISTON PIN, 18MM	C6	22	6	GASKET, EX. PIPE	D1	33	5
	C4	20	17	CLIP, TUBE	C11	27	1	GASKET, MUFFLER	D1	33	6
	D6	38	12		D2	34	10	GAUGE ASSY., THICKNESS	D10	42	5
	D8	40	32	CLIP, VALVE GUIDE	C1	17	4	GAUGE, OIL LEVEL	D7	39	17
BOLT-WASHER, 6X22	C14	30	8	COIL ASSY., IGNITION	D4	36	1	GOVERNOR ASSY.	C3	19	7
	C15	31	10	COIL ASSY., LAMP	D4	36	3		C4	20	7
	C16	32	9	COLLAR B, AIR CLEANER	C14	30	5	GRID, AIR CLEANER	C14	30	2
BOLT, CONNECTING ROD	C6	22	5		C15	31	4		C15	31	2
BOLT, DRAIN PLUG, 12MM	D8	40	25	COLLAR, AIR CLEANER	C14	30	4	GRIP	D10	42	4
BOLT, DRAIN PLUG, 12X15	C2	18	3		C15	31	4	GROMMET, AIR CLEANER	C16	32	5
BOLT, FLANGE, 10X80	C1	17	14	COLLAR, SETTING	C12	28	12	GROMMET, CORD	D4	36	5
BOLT, FLANGE, 6X10	C10	26	13	CONTROL ASSY.	D5	37	5	GUIDE, EX. VALVE	C1	17	3
BOLT, FLANGE, 6X12	C11	27	5		C12	28	6	GUIDE, IN. VALVE	C1	17	2
	D4	36	8	CORD, STOP SWITCH	D4	36	6	GUIDE, PUSH ROD	C7	23	15
	D5	37	15	COVER ASSY., CHAIN CASE	D6	38	1	GUIDE, RATCHET	C10	26	6
	D8	40	29	COVER ASSY., CRANKCASE	C3	19	1	[H]			
BOLT, FLANGE, 6X28	D4	36	9		C4	20	1	HANDLE, BOX WRENCH	D10	42	8
BOLT, FLANGE, 6X50	D8	40	29	COVER COMP., FAN	C11	27	2	HEAD COMP., CYLINDER	C1	17	1
BOLT, FLANGE, 8X25	D2	34	11	COVER COMP., HEAD	C1	17	6	HOLDER, CABLE	D5	37	10
	D6	38	10	COVER, AIR CLEANER	C14	30	3	HOLDER, CLUTCH SPRING	D7	39	9
	D8	40	30		C15	31	3	HOLDER, CLUTCH WEIGHT	D7	39	11
BOLT, FLANGE, 8X32	C3	19	16	COVER, REDUCTION	D7	39	2	HOLDER, GOVERNOR WEIGHT	C3	19	9
BOLT, FLANGE, 8X35	C4	20	15	CRANKSHAFT COMP.	C5	21	1		C4	20	9
	D6	38	11		C16	32	4	HOLDER, STOP SWITCH CORD	D4	36	7
BOLT, FLANGE, 8X40	D6	38	11	CUP, FUEL STRAINER	C13	29	23	[I]			
BOLT, GOVERNOR ARM	D5	37	16		C13	29	23	INSULATOR, CARBURETOR	C12	28	14
BOLT, HEAD COVER	C1	17	8	[D]				[J]			
BOLT, HEX., 8X35	D7	39	24	DISK, CLUTCH FRICTION	D7	39	5	JET SET, PILOT	C13	29	27
BOLT, PIVOT, 8MM	C7	23	16	DOWEL PIN, 12X20	C1	17	12	JET, MAIN	C13	29	26
BOLT, STUD, 8X123	C1	17	9	DOWEL PIN, 8X12	C3	19	13	JOINT, FUEL TANK	D2	34	2
BOLT, STUD, 8X32	C1	17	11		C4	20	13	[K]			
BOX, TOOL	D10	42	1	DOWEL PIN, 8X14	D6	38	9	KEY, 6.3X6.3X43	C5	21	4
[C]				DRIVER, SCREW	D10	42	3	KEY, 7X7X33	C5	21	4
CAMSHAFT ASSY.	C7	23	2	[E]					D6	38	7
CAP ASSY., NOISE SUPPRESSOR	D4	36	2	ELBOW COMP., AIR CLEANER	C14	30	6		D7	39	19
CAP ASSY., OIL FILLER	C3	19	3		C15	31	8	KEY, CLUTCH CENTER	D7	39	20
	C4	20	3	ELEMENT, AIR CLEANER	C14	30	1				
	C4	20	4		C15	31	7				
CAP COMP., AIR CLEANER	C14	30	7		C16	32	8				
	C15	31	9		C16	32	8				
CAP COMP., FUEL FILLER	D2	34	4		C16	32	8				
CAP, MUFFLER	D1	33	4		C16	32	8				
CAP, REDUCTION OIL	D7	39	16		C16	32	2				
CARBURETOR ASSY.	C12	28	9		C16	32	2				



PART NAME INDEX

Part name	Address	Page	Ref.	Part name	Address	Page	Ref.	Part name	Address	Page	Ref.
KEY, SPECIAL WOODRUFF, 25X18	D3	35	7	PACKING, OIL FILLER CAP	C3	19	6	SPANNER, 10X12	D10	42	9
KNOB, RECOIL STARTER	C10	26	10		C4	20	5	SPANNER, 10X14	D10	42	10
[L]				PACKING, REDUCTION COVER	D7	39	3	SPRING, CABLE RETURN	D5	37	14
LABEL, CAUTION	D9	41	3	PAN, CLEANER OIL	C15	31	6	SPRING, CLUTCH FREE	D7	39	8
				PIN, GOVERNOR WEIGHT	C3	19	10	SPRING, COCK LEVER	C12	28	21
LABEL, WARNING	D9	41	1		C4	20	10	SPRING, CONTROL ADJUSTING	D5	37	13
LEVER COMP., CHOKE	C12	28	18	PIN, LOCK, 10MM	C2	18	7	SPRING, FRICTION	C10	26	7
LEVER, COCK	C12	28	19	PIN, PISTON	C6	22	3	SPRING, GOVERNOR	D5	37	3
LEVER, CONTROL	D5	37	7	PIN, SPRING, 2X12	C13	29	25	SPRING, LEVER	D5	37	8
LIFTER, VALVE	C7	23	5	PIPE, EX.	D1	33	3	SPRING, RECOIL STARTER	C10	26	8
[M]				PISTON	C6	22	2	SPRING, RETURN	C10	26	9
MARK, AIR CLEANER CAUTION	D9	41	5	PIVOT, ROCKER ARM	C7	23	6	SPRING, THROTTLE RETURN	D5	37	4
MARK, CHOKE	D9	41	6	PLATE COMP., CLUTCH PRESSURE	D7	39	7	SPRING, VALVE	C7	23	10
MUFFLER COMP.	D1	33	1	PLATE, CLUTCH	D7	39	6	SPRING, WEIGHT RETURN	C7	23	7
[N]				PLATE, FRICTION	C10	26	5	SPROCKET COMP., DRIVE	D7	39	13
NOZZLE, MAIN	C12	28	11	PLATE, LEVER SETTING	C12	28	20	SPROCKET, DRIVE	D6	38	4
NUT, FLANGE, 6MM	C14	30	10	PLUG, SPARK	C1	17	15	STARTER ASSY., RECOIL	C10	26	1
	C15	31	12	PROTECTOR COMP., MUFFLER	D1	33	2	SWITCH ASSY., ENGINE STOP	C11	27	4
	C16	32	11	PULLEY COMP., STARTER	D3	35	2	[T]			
	D5	37	20	PULLEY, STARTER	D3	35	3	TANK COMP., FUEL	D2	34	3
NUT, FLANGE, 8MM	D1	33	9	[R]				TUBE, 11X100	C1	17	13
	D2	34	8	RATCHET, STARTER	C10	26	4	TUBE, FUEL, 4.5X222	D2	34	9
NUT, PIVOT ADJUSTING	C7	23	17	REEL, RECOIL STARTER	C10	26	3	[V]			
NUT, SELF-LOCK, 6MM	D5	37	17	RETAINER, EX. VALVE SPRING	C7	23	12	VALVE SET, FLOAT	C12	28	2
NUT, SPECIAL, 16MM	D3	35	6	RETAINER, IN. VALVE SPRING	C7	23	11	VALVE, EX.	C7	23	9
NUT, TOOL BOX SETTING	C14	30	9	RING SET, PISTON	C6	22	1	VALVE, IN.	C7	23	8
	C15	31	11	ROD ASSY., CONNECTING	C6	22	4	[W]			
	C16	32	10	ROD, GOVERNOR	D5	37	2	WASHER COMP., HEAD COVER	C1	17	10
[O]				ROD, PUSH	C7	23	3	WASHER, 8MM	D6	38	6
OIL SEAL, 30X46X8	C2	18	5	ROPE, RECOIL STARTER	C10	26	11	WASHER, 8.2X17X0.8	C2	18	4
	C3	19	14	ROTATOR, VALVE	C7	23	14	WASHER, CONTROL LEVER	D5	37	9
	D6	38	8	RUBBER, SUPPORTER	D2	34	1	WASHER, DRAIN PLUG, 12MM	C2	18	6
	D7	39	21	[S]					D8	40	26
OIL SEAL, 30X50X7	D7	39	22	SCREW SET	C12	28	5	WASHER, PLAIN, 6MM	C3	19	15
O-RING, 14MM	D2	34	7						C4	20	14
O-RING, 26X2.7	D7	39	23	SCREW SET, DRAIN	C12	28	6	WASHER, SPRING, 8MM	D8	40	27
[P]				SCREW SET, PILOT	C12	28	5	WASHER, THRUST, 25MM	D7	39	18
PACKING, CARBURETOR	C12	28	16	SCREW, PAN, 3X6	C13	29	24	WEIGHT, CLUTCH	D7	39	10
PACKING, CASE COVER	C3	19	2	SCREW, PAN, 5X16	D5	37	18	WEIGHT, GOVERNOR	C3	19	8
	C4	20	2	SCREW, PAN, 5X28	D5	37	19		C4	20	8
PACKING, CHAIN CASE COVER	D6	38	2	SCREW, SETTING	C10	26	12	WRENCH COMP., SPARK PLUG	D10	42	7
PACKING, ELBOW	C15	31	1	SCREW, TAPPING, 4X6	D1	33	8	WRENCH, BOX	D10	42	6
	C16	32	1	SCREW, TAPPING, 5X8	D1	33	7				
PACKING, FUEL COCK	C13	29	22	SCREW, THROTTLE STOP	C12	28	10				
PACKING, FUEL FILLER CAP	D2	34	5	SEAL, VALVE STEM	C7	23	1				
PACKING, FUEL STRAINER CUP	C12	28	13	SEAT, VALVE SPRING	C7	23	13				
PACKING, HEAD COVER	C1	17	7	SHAFT COMP., P.T.O.	D7	39	15				
PACKING, INSULATOR	C12	28	17	SHAFT, GOVERNOR ARM	C2	18	2				
PACKING, OIL FILLER CAP	C3	19	5	SHAFT, P.T.O.	D6	38	5				
				SHROUD	C11	27	3				
				SLIDER, GOVERNOR	C3	19	11				
				SPACER COMP., CARBURETOR	C12	28	15				
				SPACER, CONTROL LEVER	D5	37	11				

1

FOREWORD INDEX

2

ENGINE GROUP

3

PART NUMBER INDEX

4

PART NAME INDEX

HONDA
The Power of Dreams



PARTS CATALOGUE NEWS

Honda Motor Co., Ltd. Service Division

PARTS CATALOGUE - CORRECTED

Printed in Japan

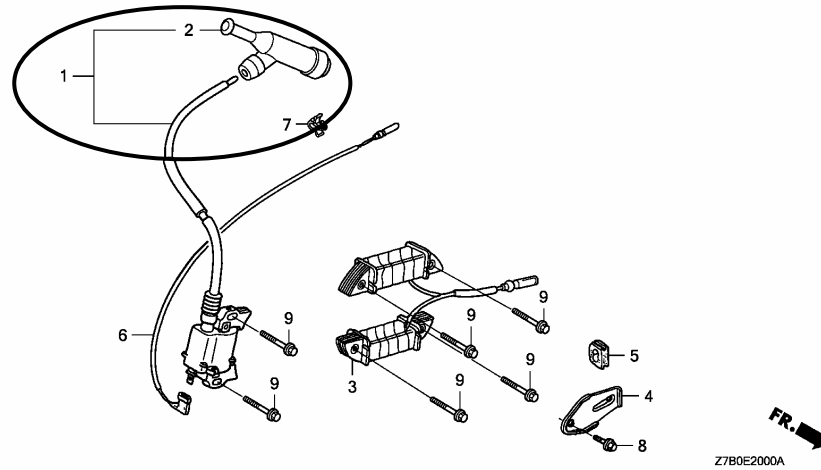
CODE NO.	13Z7B801
PARTS CATALOGUE NEWS	GX270H
NEWS NO.	001

(CHINA-KD)

Block No.	Ref. No.	Note	Part No.	Description	Reqd. QTY GX 270 H	Serial No.	Parts catalogue code
-----------	----------	------	----------	-------------	-----------------------------	------------	----------------------

E-20 IGNITION COIL

ILLUSTRATION CORRECTED



Z7B0E2000A

NOTE A:PART NO. CHANGE D:NEWLY PROVIDED E:PART NO.DELETION K:REQUIRED NO. CORRECTION L:APPLICATION SERIAL NO. CORRECTION
T:APPLICATION CORRECTION Z:REMARKS CHANGE

October 08, 2007



PARTS CATALOGUE NEWS

Honda Motor Co., Ltd. Service Division

Printed in Japan

CODE NO.	13Z7B801
PARTS CATALOGUE NEWS	GX270H
NEWS NO.	002

(CHINA-KD)

GX270H-VSP, VX TYPES sales parts information

NOTE: This Parts Catalogue News explains only the parts of the different model that are produced to conform to addition of the GX270H-VSP, VX types.

As for the parts not listed on this Parts Catalogue News, use the parts of the GX270H -LH type.

• Models, parts catalogue codes and applicable serial numbers

Model	Type		Parts catalogue type	Applicable engine serial No.	Applicable carburetor identification No.
GX270H	LH	Base type	LH	GCADH-1000001 ~	BE70L A
	VSP	Additional type	VSP		BE78B A
	LH	Base type	LH		BE70L A
	VX	Additional type	VX		BE75B B / C

• Features of each type

Specifications		Model	Base type	Additional type	Base type	Additional type
		Type	GX270H			
			LH	VSP	LH	VX
Crankshaft	25mmØ Straight					
	25.4mmØ Straight					
	20mmØ Spline		●		●	
	5/16" Tapered			●		●
Reduction	1/2 Reduction		●		●	
	1/2 Reduction (With clutch)					
Air cleaner	Semi dry					
	Oil bath					
	Dual		●	●	●	●

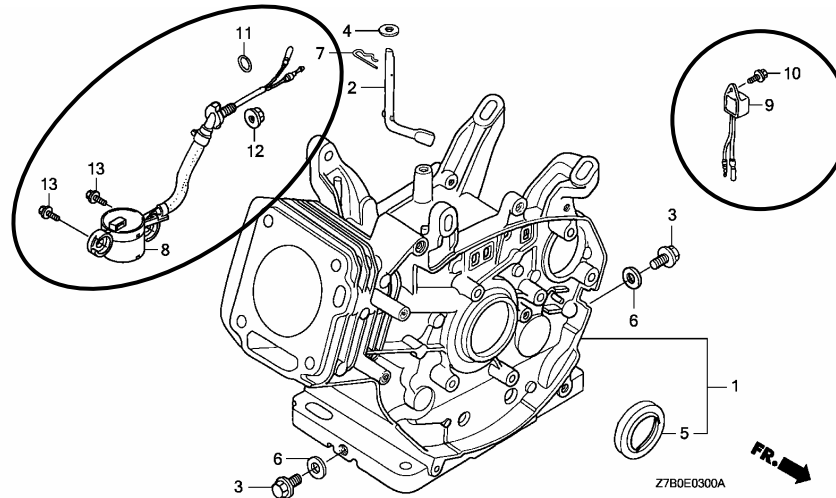
PARTS CATALOGUE NEWS

BOOKNo. : 13Z7B801

Block No.	Ref. No.	Part No.	Description	Reqd. QTY		Parts catalogue code
				GX 270 H	Base Part No.	
E-2	1	12200-ZH9-405	HEAD COMP., CYLINDER	1	12200-Z7B-000	VX
		12200-Z1D-405	1	12200-Z7B-000	VSP
	5	12251-Z1D-801	GASKET, CYLINDER HEAD	1	12251-ZH9-000	VSP
	14	95701-10080-00	BOLT, FLANGE, 10X80	4	95725-10080-00	
	15		PLUG, SPARK (BPR6ES) (NGK)	0	98079-56846	VSP
		98079-55876	PLUG, SPARK (BPR5ES)	(1)	98079-55846	VSP
		98079-56855	PLUG, SPARK (W20EPR-U) (DENSO)	1		VX
		98079-56876	PLUG, SPARK (BPR6ES)	1	98079-55855	VSP

E-3 CYLINDER BARREL

Ref. No.	(Relative ref. Number) LON Description	FRT
8	(11)	
6151E8	SWITCH, OIL LEVEL	0.5
9 6151A0	ALERT UNIT, ENGINE OIL	0.1



E-3	1	12000-ZH9-406	BARREL ASSY., CYLINDER (ALERT)	1	12000-Z7B-800	VX
		12000-Z1D-406	1	12000-Z7B-800	VSP
	2	16541-ZE2-010	SHAFT, GOVERNOR ARM	1	16541-Z7B-000	
	4	90446-KE1-000	WASHER, 8. 2X17X0.8	1	90446-Z7E-000	

PARTS CATALOGUE NEWS

BOOKNo. : 13Z7B801

Block No.	Ref. No.	Part No.	Description	Reqd. QTY		Base Part No.	Parts catalogue code
				GX 270 H			
	5	91201-Z1D-003	OIL SEAL, 30X46X8	1		91201-Z7B-003	VSP
		91201-890-003	1		91201-Z7B-003	VX
	8	15510-ZE2-053	SWITCH ASSY., OIL LEVEL	1			VX
		35480-ZF6-003	1			VSP
	9	34150-ZH7-013	ALERT UNIT, OIL	1			
	10	90013-883-000	BOLT, FLANGE, 6X12 (CT200)	1			
	11	91353-671-004	O-RING, 14MM (NOK)	1			
	12	94050-10000	NUT, FLANGE, 10MM	1			
	13	95701-06012-00	BOLT, FLANGE, 6X12	2			
E-6	1	11300-ZE2-602	COVER ASSY., CRANKCASE	1			VX
		11300-Z1D-600	1			VSP
	2	11381-ZE2-801	PACKING, CASE COVER	1			
	3	15600-ZG4-003	CAP ASSY., OIL FILLER	1			VX
		15600-ZOT-820	1			VSP
	4	15600-Z1C-000	CAP ASSY., OIL FILLER	1			VSP
		15600-735-003	1			VX
	5	15625-ZE1-003	PACKING, OIL FILLER CAP	1			VX
		15625-ZOT-800	1			VSP
	6	15625-ZE1-003	PACKING, OIL FILLER CAP	1			VX
		15625-ZOT-800	1			VSP
	7	16510-ZE2-000	GOVERNOR ASSY.	1			
	8	16511-ZE2-000	WEIGHT, GOVERNOR	2			
	9	16512-ZE2-000	HOLDER, GOVERNOR WEIGHT	1			
	10	16513-ZE2-000	PIN, GOVERNOR WEIGHT	2			

PARTS CATALOGUE NEWS

BOOKNo. : 13Z7B801

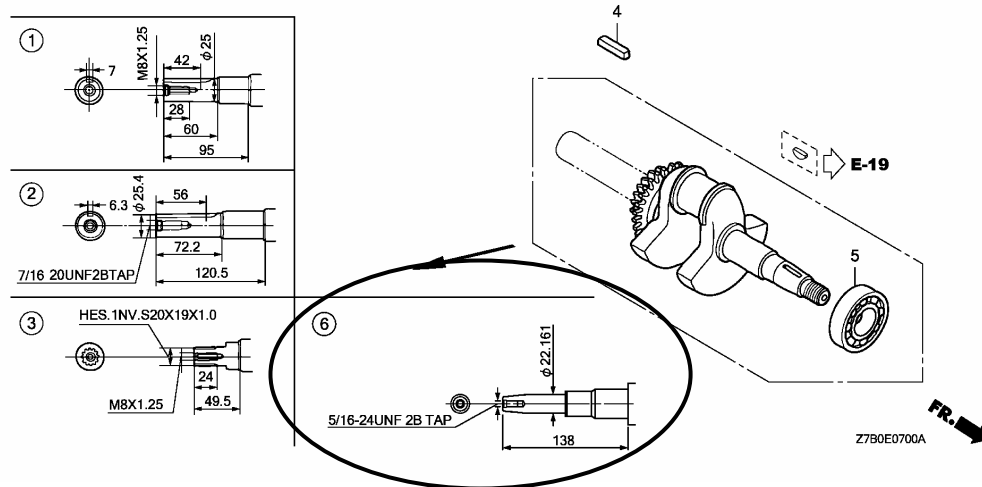
Block No.	Ref. No.	Part No.	Description	Reqd. QTY	Base Part No.	Parts catalogue code
				GX 270 H		
	11	16531-Z0A-000	SLIDER, GOVERNOR	1		
	12	90602-ZE1-000	CLIP, GOVERNOR HOLDER	1		
	13	90701-HC4-000	DOWEL PIN, 8X12	2		
	14	91201-Z1D-003	OIL SEAL, 30X46X8	1	VSP	
		91201-890-003	1	VX	
	15	94101-06800	WASHER, PLAIN, 6MM	1		
	16	95701-08035-00	BOLT, FLANGE, 8X35	7		
	17	96100-62060-00	BEARING, RADIAL BALL, 6206 ...	1		
E-6-1	1		COVER ASSY., CRANKCASE	0	11300-Z7B-810	
	2		PACKING, CASE COVER	0	11381-ZE2-801	
	3		CAP ASSY., OIL FILLER	0	15600-Z1T-600	
	4		CAP ASSY., OIL FILLER	0	15600-Z7E-000	
	5		PACKING, OIL FILLER CAP	0	15625-Z0T-800	
	6		PACKING, OIL FILLER CAP	0	15625-Z1T-000	
	7		GOVERNOR ASSY.	0	16510-Z7B-000	
	8		WEIGHT, GOVERNOR	0	16511-ZE2-000	
	9		HOLDER, GOVERNOR WEIGHT	0	16512-Z7B-000	
	10		PIN, GOVERNOR WEIGHT	0	16513-ZE2-000	
	11		SLIDER, GOVERNOR	0	16531-Z0A-000	
	12		CLIP, GOVERNOR HOLDER	0	90602-ZE1-000	
	13		DOWEL PIN, 8X12	0	90701-Z7E-000	
	14		WASHER, PLAIN, 6MM	0	94101-06800	
	15		BOLT, FLANGE, 8X35	0	95701-08035-00	
	16		BEARING, RADIAL BALL, 6204 ...	0	96100-62040-00	

BOOKNo. : 13Z7B801

Block No.	Ref. No.	Part No.	Description	Reqd. QTY GX 270 H	Base Part No.	Parts catalogue code
	17		BEARING, RADIAL BALL, 6206 ...	0	96100-62060-00	

E-7 CRANKSHAFT

Ref. No.	(Relative ref. Number) LON Description	FRT
1	(2, 3, 6) 1101FO CRANKSHAFT	1. 1



E-7	3	CRANKSHAFT COMP.	0	13310-Z7B-820	
	6	13310-ZH9-671 CRANKSHAFT COMP.	1		
E-8	1	RING SET, PISTON (0.50) (NIPPON) (0)	(0)	13012-ZE8-601	VX
		RING SET, PISTON (0.50) (TEIKOKU) (0)	(0)	13012-ZE8-602	VX
		RING SET, PISTON (0.75) (NIPPON) (0)	(0)	13013-ZE8-601	VX
		RING SET, PISTON (0.75) (TEIKOKU) (0)	(0)	13013-ZE8-602	VX
	13010-Z5H-004	RING SET, PISTON (STD.) (TEIKOKU) 1	1	13010-ZE8-601	
	13010-Z5K-003	RING SET, PISTON (STD.) (RIKEN) 1	1	13010-ZE8-602	VSP

PARTS CATALOGUE NEWS

BOOKNo. : 13Z7B801

Block No.	Ref. No.	Part No.	Description	Reqd. QTY		Base Part No.	Parts catalogue code
				GX 270 H			
		13011-Z5H-004	RING SET, PISTON (0.25) (TEIKOKU)	(1)		13010-ZE8-602	VX
		13011-Z5H-004	(1)		13011-ZE8-601	VSP
		13011-Z5K-003	RING SET, PISTON (0.25)	(1)		13011-ZE8-602	VSP
		13012-Z5H-004	RING SET, PISTON (0.50) (TEIKOKU)	(1)		13011-ZE8-601	VX
		13012-Z5H-004	(1)		13012-ZE8-601	VSP
		13012-Z5K-003	RING SET, PISTON (0.50)	(1)		13012-ZE8-602	VSP
		13013-Z5H-004	RING SET, PISTON (0.75) (TEIKOKU)	(1)		13011-ZE8-602	VX
		13013-Z5H-004	(1)		13013-ZE8-601	VSP
		13013-Z5K-003	RING SET, PISTON (0.75)	(1)		13013-ZE8-602	VSP
2		13101-ZH9-010	PISTON (STD.)	1		13101-ZH9-000	
		13102-ZH9-010	PISTON (0.25)	(1)		13102-ZH9-000	
		13103-ZH9-010	PISTON (0.50)	(1)		13103-ZH9-000	
		13104-ZH9-010	PISTON (0.75)	(1)		13104-ZH9-000	
3		13111-ZE2-000	PIN, PISTON	1		13111-Z7B-000	
4		13200-ZE2-010	ROD ASSY., CONNECTING (STD.) .	1		13200-Z1D-000	VX
		13200-Z1D-305	ROD ASSY., CONNECTING (0.25 UNDER SIZE)	(1)		13200-ZE2-305	VSP
E-9	1	12209-ZE8-003	SEAL, VALVE STEM	1		12209-Z7E-003	
	3	14410-ZE2-013	ROD, PUSH	2		14410-Z7B-000	VX
		14410-Z1D-000	2		14410-Z7B-000	VSP
	5	14441-ZE2-000	LIFTER, VALVE	2		14441-Z7E-000	
	6	14451-ZE1-013	PIVOT, ROCKER ARM	2		14451-Z7E-000	
	8	14711-ZE2-000	VALVE, IN.	1		14711-Z7B-000	

PARTS CATALOGUE NEWS

BOOKNo. : 13Z7B801

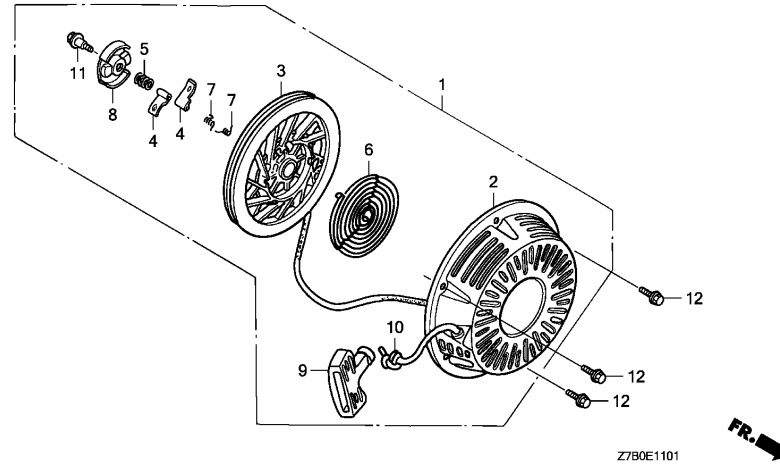
Block No.	Ref. No.	Part No.	Description	Reqd. QTY	Base Part No.	Parts catalogue code
				GX 270 H		
	9	14721-ZE2-000	VALVE, EX.	1	14721-Z7B-000	
	10	14751-ZE2-003	SPRING, VALVE	2	14751-Z7E-000	VX
		14751-Z1C-000	2	14751-Z7E-000	VSP
	14	14781-ZE2-000	ROTATOR, VALVE	1	14781-Z7E-000	
	15	14791-ZE2-010	PLATE, PUSH ROD GUIDE	1	14791-Z7E-000	
E-11	1		STARTER ASSY., RECOIL *R280*. POWER RED	0	28400-Z7B-003ZA	
	2		CASE COMP., RECOIL STARTER *R280*. POWER RED	0	28410-Z7B-003ZA	
	3		REEL, RECOIL STARTER	0	28420-Z7B-003	
	4		RATCHET, STARTER	0	28422-ZH8-801	
	5		PLATE, FRICTION	0	28431-ZH8-801	
	6		GUIDE, RATCHET	0	28433-Z2E-003	
	7		SPRING, FRICTION	0	28441-Z2E-003	
	8		SPRING, RECOIL STARTER	0	28442-Z7E-003	
	9		SPRING, RETURN	0	28443-ZH8-801	
	10		KNOB, RECOIL STARTER	0	28461-Z2E-003	
	11		ROPE, RECOIL STARTER	0	28462-Z7B-003	
	12		SCREW, SETTING	0	90003-ZH8-801	
	13		BOLT, FLANGE, 6X10	0	90008-ZE2-003	

BOOKNo. : 13Z7B801

Block No.	Ref. No.	Part No.	Description	Reqd. QTY GX 270 H	Base Part No.	Parts catalogue code
-----------	----------	----------	-------------	-----------------------------	---------------	----------------------

E-11-1 RECOIL STARTER (2)

Ref. No.	LON	(Relative ref. Number) Description	FRT
1	1121B9	STARTER, RECOIL	0.1
3	1121B1	REEL, RECOIL STARTER	0.3
4	1121B0	RATCHET, STARTER AND/OR SPRING, RATCHET	0.2
.NOTE: Same time for two units			
6	1121B7	SPRING, RECOIL STARTER RETURN	0.3
8	1121B2	RETAINER, SPRING	0.2
10	1121B3	ROPE, RECOIL STARTER	0.3



E-11-1	1	28400-ZE2-W01ZN	STARTER ASSY., RECOIL *R280*..... POWER RED	1
	2	28410-ZE2-W01ZN	CASE COMP., RECOIL STARTER *R280*..... POWER RED	1
	3	28421-ZE2-W01	PULLEY, RECOIL STARTER	1
	4	28422-ZE2-W01	RATCHET, STARTER	2
	5	28441-ZE2-W01	SPRING, FRICTION	1
	6	28442-ZE2-W01	SPRING, STARTER RETURN	1
	7	28443-ZE2-W01	SPRING, RATCHET	2
	8	28444-ZE2-W01	RETAINER, SPRING	1
	9	28461-ZE2-W02	GRIP, STARTER	1
	10	28462-ZE2-W11	ROPE, RECOIL STARTER	1
	11	90004-ZE2-W01	SCREW, CENTER	1

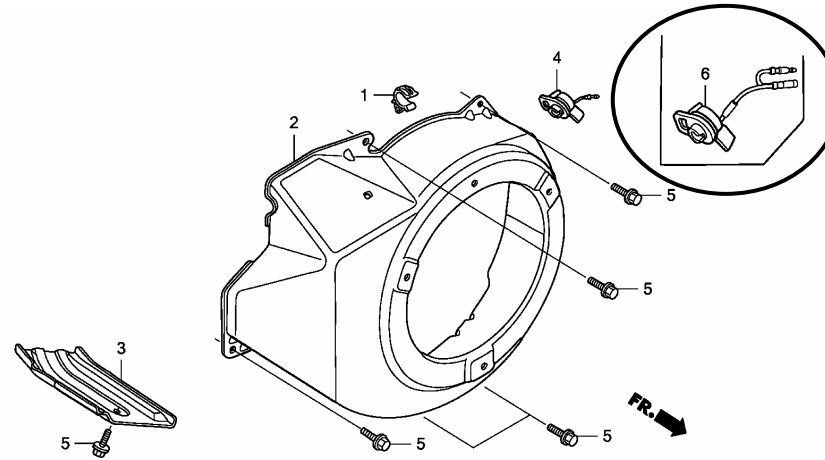
PARTS CATALOGUE NEWS

BOOKNo. : 13Z7B801

Block No.	Ref. No.	Part No.	Description	Reqd. QTY	Base Part No.	Parts catalogue code
	12	90008-ZE2-003	BOLT, FLANGE, 6X10	3		

E-12 FAN COVER

Ref. No.	(Relative ref. Number)	Description	FRT
4	(6)	6151D9 SWITCH, ENGINE STOP	0.1



Z7B0E1200A

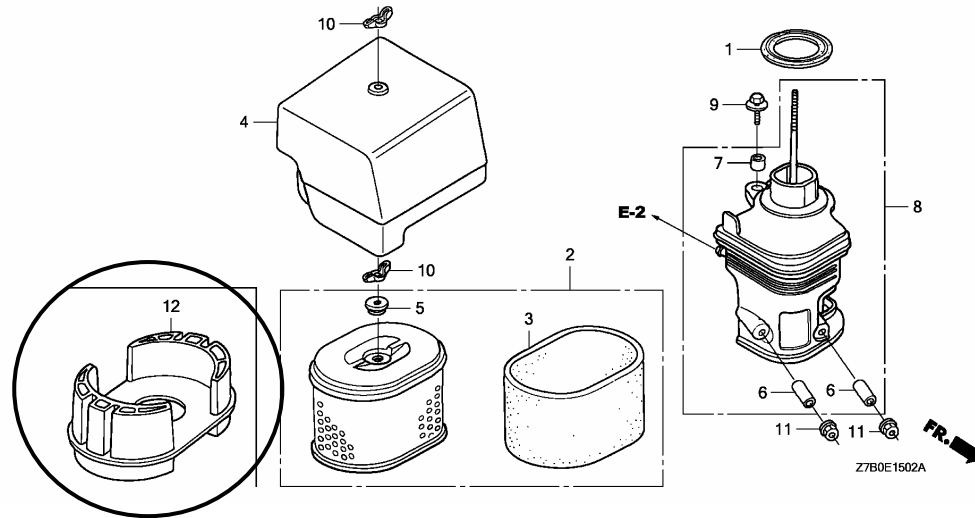
E-12	1	16731-ZE2-003	CLIP, TUBE	1	16731-Z7E-000	
	2	19610-ZE2-010ZL	COVER COMP., FAN *R280*	1	19610-Z7B-000ZA	
	4		SWITCH ASSY., ENGINE STOP	0	36100-ZE1-015	
	6	36100-ZF6-P82	SWITCH ASSY., ENGINE STOP	1		VSP
		36100-ZH7-003	1		VX
E-14	3	16013-ZA0-931	FLOAT SET	1	16013-Z1C-003	VX
	9	16100-ZH9-W21	CARBURETOR ASSY. (BE75B B/C) .	1	16100-Z7B-811	VX
		16100-Z1D-W21	CARBURETOR ASSY. (BE78B A) ...	1	16100-Z7B-811	VSP
	14	16211-ZE2-000	INSULATOR, CARBURETOR	1	16211-Z7B-000	

BOOKNo. : 13Z7B801

Block No.	Ref. No.	Part No.	Description	Reqd. QTY GX 270 H	Base Part No.	Parts catalogue code
-----------	----------	----------	-------------	-----------------------------	---------------	----------------------

E-15-2 AIR CLEANER (DUAL)

Ref. No.	(Relative ref. Number)	Description	FRT
12	3121D6	NOSE, SILENCER	0.1



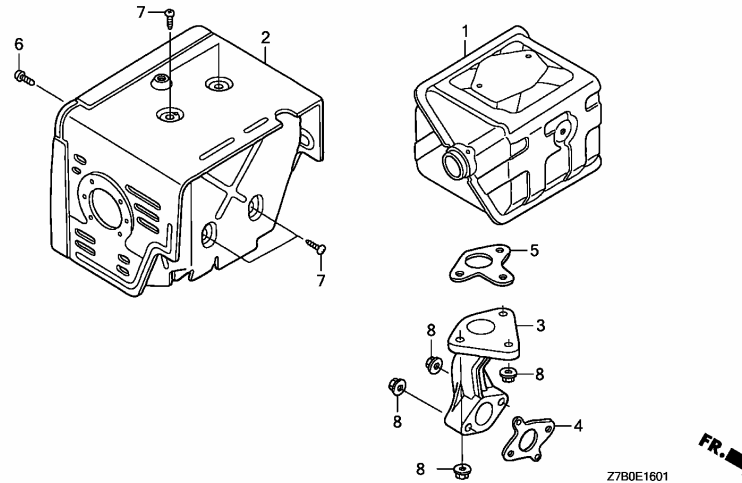
E-15-2	9	90009-Z1C-000	BOLT-WASHER, 6X22	1	90009-ZE2-003	VSP
	12	17235-ZE2-820	NOSE, SILENCER	1		
E-16	1		MUFFLER COMP.	0	18310-ZE2-W00	
	2		PROTECTOR COMP., MUFFLER (STD.)	0	18320-ZE2-W01	
	3		PIPE, EX.	0	18330-ZE2-W00	
	5		GASKET, EX. PIPE	0	18333-ZE3-800	
	6		GASKET, MUFFLER	0	18381-ZE2-800	
	7		SCREW, TAPPING, 5X8	0	90050-ZE1-000	
	9		NUT, FLANGE, 8MM	0	94050-08000	

BOOKNo. : 13Z7B801

Block No.	Ref. No.	Part No.	Description	Reqd. QTY GX 270 H	Base Part No.	Parts catalogue code
-----------	----------	----------	-------------	-----------------------------	---------------	----------------------

E-16-1 MUFFLER (2)

Ref. No.	LON	(Relative ref. Number) Description	FRT
1	3131C5	MUFFLER, EXHAUST	0.2
2	3131D6	PROTECTOR, EXHAUST MUFFLER ...	0.2
3	3131C9	PIPE, EXHAUST	0.2
4	3131B5	GASKET, EXHAUST PIPE	0.2
5	3131B4	GASKET, EXHAUST MUFFLER	0.2



Z7B0E1601 **FR.** →

E-16-1	1	18310-ZE2-W61	MUFFLER COMP. (100DB)	1		
	2	18320-ZE2-W61	PROTECTOR COMP., MUFFLER	1		
	3	18330-ZH9-N00	PIPE, EX.	1		
	4	18333-ZF6-W01	GASKET, EX. PIPE	1		
	5	18381-ZE2-800	GASKET, MUFFLER	1		
	6	90006-ZE2-000	SCREW, TAPPING, 6X10	1		
	7	90050-ZE1-000	SCREW, TAPPING, 5X8	4		
	8	94050-08000	NUT, FLANGE, 8MM	5		
E-17	3	17510-ZE2-020ZA	TANK COMP., FUEL *NH31*. MCKINLEY WHITE	1	17510-ZE2-801ZC	VSP
E-19	1	19511-ZE2-000	FAN, COOLING	1	19511-Z7B-000	
	2	28450-ZE2-W11	PULLEY COMP., STARTER (SCREEN GRID)	1	28450-Z7B-000	

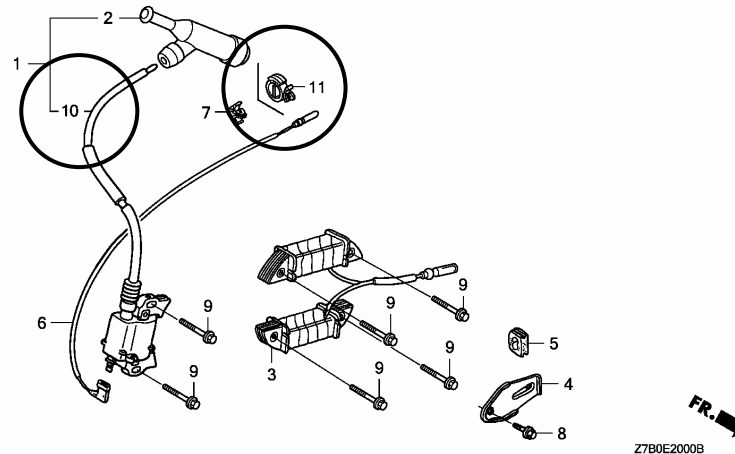
PARTS CATALOGUE NEWS

BOOKNo. : 13Z7B801

Block No.	Ref. No.	Part No.	Description	Reqd. QTY	Base Part No.	Parts catalogue code
	4	31100-ZE2-010	FLYWHEEL COMP.	1	31110-Z7B-801	
	6	90201-ZE3-790	NUT, SPECIAL, 16MM	1	90201-ZE3-V00	

E-20 IGNITION COIL

Ref. No.	(Relative ref. Number)	Description	FRT
1	(10)	COIL, IGNITION (ONE)	0.3



E-20	1	COIL ASSY., IGNITION	0	30500-Z7E-003	
	2	CAP ASSY., NOISE SUPPRESSOR (NICHIIWA Y-EZ RTFM256)	1	30700-Z1T-003	VX
		30700-Z1C-811	1	30700-Z1T-003	VSP
	7	HOLDER, STOP SWITCH CORD	0	36103-ZE1-000	
	10	30500-ZF6-W03	1		VX
		30500-Z1C-023	1		VSP
	11	90684-ZA0-601	1		

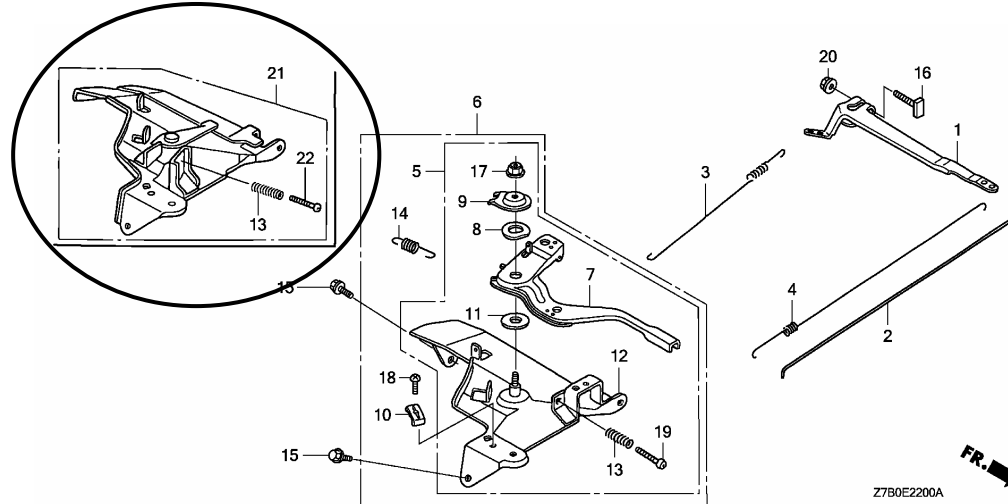
PARTS CATALOGUE NEWS

BOOKNo. : 13Z7B801

Block No.	Ref. No.	Part No.	Description	Reqd. QTY GX 270 H	Base Part No.	Parts catalogue code
-----------	----------	----------	-------------	-----------------------------	---------------	----------------------

E-22 CONTROL

Ref. No.	(Relative ref. Number)	Description	FRT
5	(6, 21)	CONTROL, THROTTLE/GOVERNOR ...	0.2
1161A5			



E-22	5	16570-ZE2-W00	CONTROL ASSY.	1		VX
	6		CONTROL ASSY. (REMOTE)	0	16570-ZE2-W20	
	7		LEVER, CONTROL	0	16571-ZE2-W00	VSP
	8		SPRING, LEVER	0	16574-ZE1-000	VSP
	9		WASHER, CONTROL LEVER	0	16575-ZE2-W00	VSP
	10		HOLDER, CABLE	0	16576-891-000	
	11		SPACER, CONTROL LEVER	0	16578-ZE1-000	VSP
	12		BASE COMP., CONTROL (###)	0	16581-ZE2-W00	VSP
	14		SPRING, CABLE RETURN	0	16592-883-310	
	17		NUT, SELF-LOCK, 6MM	0	90114-SA0-000	VSP
	18		SCREW, PAN, 5X16	0	93500-05016-0A	
	19		SCREW, PAN, 5X28	0	93500-05028-0A	VSP

PARTS CATALOGUE NEWS

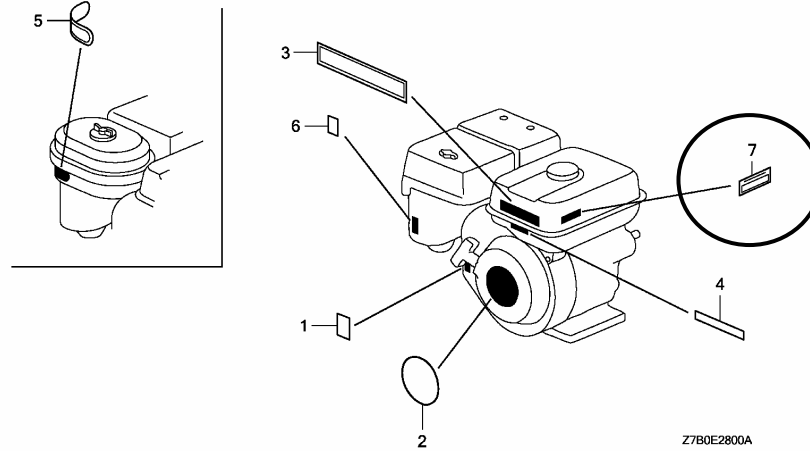
BOOKNo. : 13Z7B801

Block No.	Ref. No.	Part No.	Description	Reqd. QTY		Base Part No.	Parts catalogue code
				GX 270 H			
	21	16570-ZE2-722	CONTROL ASSY.	1		VSP	
	22	93500-05035-0A	SCREW, PAN, 5X35	1		VSP	
E-26	1		COVER ASSY., CHAIN CASE	0		11500-Z7B-000	
	2		PACKING, CHAIN CASE COVER	0		11521-ZE2-800	
	3		CHAIN, P. T. O. DRIVE	0		14411-ZE2-611	
	4		SPROCKET, DRIVE (14T)	0		23110-ZE2-610	
	5		SHAFT, P. T. O. (28T)	0		23710-ZE2-610	
	6		WASHER, 8MM	0		90473-842-000	
	7		KEY, 7X7X33	0		90741-805-000	
			KEY, 7X7X33 (YELLOW)	(0)		90741-889-810	
	8		OIL SEAL, 30X46X8	0		91201-Z7B-003	
	9		DOWEL PIN, 8X14	0		94301-08140	
	10		BOLT, FLANGE, 8X25	0		95701-08025-00	
	11		BOLT, FLANGE, 8X40	0		95701-08040-00	
	12		BEARING, RADIAL BALL, 6206 ...	0		96100-62060-00	

PARTS CATALOGUE NEWS

BOOKNo. : 13Z7B801

Block No.	Ref. No.	Part No.	Description	Reqd. QTY GX 270 H	Base Part No.	Parts catalogue code
E-28		LABEL				



Z7B0E2800A

E-28	1	87114-ZH7-840	LABEL, WARNING (NOT CERTIFIED FOR SALE)	1	87114-ZH7-000	VSP
	3		LABEL, CAUTION (ENGLISH, ETC.)	0	87522-ZH9-010	VSP
	4		LABEL, CAUTION (CHINA)	0	87522-Z1T-J00	
	6	87528-ZE2-810	MARK, CHOKE (ORANGE)	1	87528-Z7E-000	VX
		87528-ZH7-000	MARK, CHOKE (GRAY)	1	87528-Z7E-000	VSP
	7	87532-ZH8-810	MARK, OIL ALERT (EXTERNAL) . . .	1		VX



PARTS CATALOGUE NEWS

Honda Motor Co., Ltd. Service Division

PARTS CATALOGUE - CORRECTED

Printed in Japan

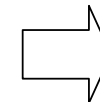
CODE NO.	13Z7B801
PARTS CATALOGUE NEWS	GX270H
NEWS NO.	003

(CHINA-KD)

Block No.	Ref. No.	Note	Part No.	Description	Reqd. QTY GX 270 H	Serial No.	Parts catalogue code
-----------	----------	------	----------	-------------	-----------------------------	------------	----------------------

ENGINE SERIAL NO. CORRECTED

Model	Type	Parts catalogue type	Applicable engine serial No.
GX270H	LH	LH	GCADH-1000001~
	LW	LW	
	QD	QD	
	RD	RD	
	SD	SD	
	SH	SH	
	VSP	VSP	
	VX	VX	



Applicable engine serial No.
GCADH-0000001~

NOTE A:PART NO. CHANGE D:NEWLY PROVIDED E:PART NO.DELETION K:REQUIRED NO. CORRECTION L:APPLICATION SERIAL NO. CORRECTION
T:APPLICATION CORRECTION Z:REMARKS CHANGE

PARTS CATALOGUE NEWS

BOOKNo. : 13Z7B801

Block No.	Ref. No.	Note	Part No.	Description	Reqd. QTY	Serial No.	Parts catalogue code	
					GX 270 H			
E-2	1	L	12200-Z1D-405	HEAD COMP., CYLINDER	1	----- 0000024	VSP	
		T	12200-ZH9-405	1	-----	VX	
						1	0000025	VSP
	5	L	12251-Z1D-801	GASKET, CYLINDER HEAD	1	----- 0000024	VSP	
		T	12251-ZH9-000	1	-----	LH, LW, QD, RD, SD, SH, VX	
						1	0000025	VSP
	14	L	95725-10080-00	BOLT, FLANGE, 10X80	4	----- 0004282	LH, LW, QD, RD, SD, SH	
		T	95701-10080-00	4	-----	VSP, VX	
						4	0004283	LH, LW, QD, RD, SD, SH
	E-3	2	L	16541-ZE2-010	SHAFT, GOVERNOR ARM	1	----- 0000154	VSP, VX
T			16541-Z7B-000	1	-----	LH, LW, QD, RD, SD, SH	
						1	0000155	VSP, VX
4		L	90446-KE1-000	WASHER, 8.2X17X0.8	1	----- 0000154	VSP, VX	
		T	90446-Z7E-000	1	-----	LH, LW, QD, RD, SD, SH	
						1	0000155	VSP, VX
E-6	1	L	11300-ZE2-602	COVER ASSY., CRANKCASE	1	----- 0000024	VX	
		L	11300-Z1D-600	1	----- 0000024	VSP	
		T	11300-Z7B-800	1	-----	QD	
	4	L	15600-Z1C-000	CAP ASSY., OIL FILLER	1	----- 0000025	VSP, VX	
		L	15600-735-003	1	----- 0003352	VX	
		T	15600-Z7E-000	1	-----	QD, RD, SD, SH	
	5	L	15625-ZE1-003	PACKING, OIL FILLER CAP	1	----- 0003353	VSP, VX	
						1	0003352	VX
						1	0003352	VX

NOTE A:PART NO. CHANGE D:NEWLY PROVIDED E:PART NO.DELETION K:REQUIRED NO. CORRECTION L:APPLICATION SERIAL NO. CORRECTION
T:APPLICATION CORRECTION Z:REMARKS CHANGE

PARTS CATALOGUE NEWS

BOOKNo. : 13Z7B801

Block No.	Ref. No.	Note	Part No.	Description	Reqd. QTY		Serial No.	Parts catalogue code
					GX 270 H			
		T	15625-Z0T-800	1		-----	QD, RD, SD, SH, VSP
					1	0003353	-----	VX
	13	L	90701-HC4-000	DOWEL PIN, 8X12	2	-----	0000154	VSP, VX
		T	90701-Z7E-000	2	-----	-----	QD, RD, SD, SH
					2	0000155	-----	VSP, VX
	14	L	91201-Z1D-003	OIL SEAL, 30X46X8	1	-----	0000024	VSP
		L	91201-890-003	1	-----	0000024	VX
		T	91201-Z7B-003	1	-----	-----	QD, RD, SD, SH
					1	0000025	-----	VSP, VX
E-8	1	L	13010-ZE8-601	RING SET, PISTON (STD.) (NIPPON)	1	-----	0004282	LH, LW, QD, RD, SD, SH
		L	13010-ZE8-602	RING SET, PISTON (STD.) (TEIKOKU)	1	-----	0004282	LH, LW, QD, RD, SD, SH
		L	13011-ZE8-601	RING SET, PISTON (0.25) (NIPPON)	(1)	-----	0004282	LH, LW, QD, RD, SD, SH
		L	13011-ZE8-602	RING SET, PISTON (0.25) (TEIKOKU)	(1)	-----	0004282	LH, LW, QD, RD, SD, SH
		L	13012-ZE8-601	RING SET, PISTON (0.50) (NIPPON)	(1)	-----	0004282	LH, LW, QD, RD, SD, SH
		L	13012-ZE8-602	RING SET, PISTON (0.50) (TEIKOKU)	(1)	-----	0004282	LH, LW, QD, RD, SD, SH
		L	13013-ZE8-601	RING SET, PISTON (0.75) (NIPPON)	(1)	-----	0004282	LH, LW, QD, RD, SD, SH
		L	13013-ZE8-602	RING SET, PISTON (0.75) (TEIKOKU)	(1)	-----	0004282	LH, LW, QD, RD, SD, SH
		T	13010-Z5H-004	RING SET, PISTON (STD.) (TEIKOKU)	1	-----	-----	VSP, VX
					1	0004283	-----	LH, LW, QD, RD, SD, SH
		T	13010-Z5K-003	RING SET, PISTON (STD.) (RIKEN)	1	-----	-----	VSP

NOTE A:PART NO. CHANGE D:NEWLY PROVIDED E:PART NO.DELETION K:REQUIRED NO. CORRECTION L:APPLICATION SERIAL NO. CORRECTION
T:APPLICATION CORRECTION Z:REMARKS CHANGE

PARTS CATALOGUE NEWS

BOOKNo. : 13Z7B801

Block No.	Ref. No.	Note	Part No.	Description	Reqd. QTY		Serial No.	Parts catalogue code
					GX 270 H			
					1		0004283	----- LH, LW, QD, RD, SD, SH
					1		0004430	----- VX
		T	13011-Z5H-004	RING SET, PISTON (0.25) (TEIKOKU)	(1)	-----	-----	VSP, VX
					(1)		0004283	----- LH, LW, QD, RD, SD, SH
		T	13011-Z5K-003	RING SET, PISTON (0.25) (RIKEN)	(1)	-----	-----	VSP
					(1)		0004283	----- LH, LW, QD, RD, SD, SH
					(1)		0004430	----- VX
		T	13012-Z5H-004	RING SET, PISTON (0.50) (TEIKOKU)	(1)	-----	-----	VSP, VX
					(1)		0004283	----- LH, LW, QD, RD, SD, SH
		T	13012-Z5K-003	RING SET, PISTON (0.50) (RIKEN)	(1)	-----	-----	VSP
					(1)		0004283	----- LH, LW, QD, RD, SD, SH
					(1)		0004430	----- VX
		T	13013-Z5H-004	RING SET, PISTON (0.75) (TEIKOKU)	(1)	-----	-----	VSP, VX
					(1)		0004283	----- LH, LW, QD, RD, SD, SH
		T	13013-Z5K-003	RING SET, PISTON (0.75) (RIKEN)	(1)	-----	-----	VSP
					(1)		0004283	----- LH, LW, QD, RD, SD, SH
					(1)		0004430	----- VX
	2	L	13101-ZH9-000	PISTON (STD.)	1	-----	0004282	LH, LW, QD, RD, SD, SH
		L	13102-ZH9-000	PISTON (0.25)	(1)	-----	0004282	LH, LW, QD, RD, SD, SH
		L	13103-ZH9-000	PISTON (0.50)	(1)	-----	0004282	LH, LW, QD, RD, SD, SH
		L	13104-ZH9-000	PISTON (0.75)	(1)	-----	0004282	LH, LW, QD, RD, SD, SH
		T	13101-ZH9-010	PISTON (STD.)	1	-----	0004429	VSP, VX
					1		0004283 0004429	LH, LW, QD, RD, SD, SH

NOTE A:PART NO. CHANGE D:NEWLY PROVIDED E:PART NO.DELETION K:REQUIRED NO. CORRECTION L:APPLICATION SERIAL NO. CORRECTION
T:APPLICATION CORRECTION Z:REMARKS CHANGE

PARTS CATALOGUE NEWS

BOOKNo. : 13Z7B801

Block No.	Ref. No.	Note	Part No.	Description	Reqd. QTY	Serial No.		Parts catalogue code
					GX 270 H			
		T	13102-ZH9-010	PISTON (0.25)	(1)	-----	0004429	VSP, VX
					(1)	0004283	0004429	LH, LW, QD, RD, SD, SH
		T	13103-ZH9-010	PISTON (0.50)	(1)	-----	0004429	VSP, VX
					(1)	0004283	0004429	LH, LW, QD, RD, SD, SH
		T	13104-ZH9-010	PISTON (0.75)	(1)	-----	0004429	VSP, VX
					(1)	0004283	0004429	LH, LW, QD, RD, SD, SH
		A	13101-Z7B-800	PISTON (STD.)	1	0004430		
		A	13102-Z7B-800	PISTON (0.25)	(1)	0004430		
		A	13103-Z7B-800	PISTON (0.50)	(1)	0004430		
		A	13104-Z7B-800	PISTON (0.75)	(1)	0004430		
	3	L	13111-ZE2-000	PIN, PISTON	1	-----	0000024	VSP, VX
		T	13111-Z7B-000	1	-----	-----	LH, LW, QD, RD, SD, SH
					1	0000025	-----	VSP, VX
	4	L	13200-ZE2-010	ROD ASSY., CONNECTING (STD.) .	1	-----	0000024	VX
		T	13200-Z1D-000	1	-----	-----	LH, LW, QD, RD, SD, SH, VSP
					1	0000025	-----	VX
E-9	1	L	12209-ZE8-003	SEAL, VALVE STEM	1	-----	0000024	VSP, VX
		T	12209-Z7E-003	1	-----	-----	LH, LW, QD, RD, SD, SH
					1	0000025	-----	VSP, VX
	3	L	14410-ZE2-013	ROD, PUSH	2	-----	0000024	VX
		L	14410-Z1D-000	2	-----	0000024	VSP
		T	14410-Z7B-000	2	-----	-----	LH, LW, QD, RD, SD, SH
					2	0000025	-----	VSP, VX
	5	L	14441-ZE2-000	LIFTER, VALVE	2	-----	0000024	VSP, VX

NOTE A:PART NO. CHANGE D:NEWLY PROVIDED E:PART NO.DELETION K:REQUIRED NO. CORRECTION L:APPLICATION SERIAL NO. CORRECTION
T:APPLICATION CORRECTION Z:REMARKS CHANGE

PARTS CATALOGUE NEWS

BOOKNo. : 13Z7B801

Block No.	Ref. No.	Note	Part No.	Description	Reqd. QTY		Serial No.	Parts catalogue code
					GX 270 H			
		T	14441-Z7E-000	2		-----	LH, LW, QD, RD, SD, SH
					2		0000025	VSP, VX
	6	L	14451-ZE1-013	PIVOT, ROCKER ARM	2		-----	0000024 VSP, VX
		T	14451-Z7E-000	2		-----	LH, LW, QD, RD, SD, SH
					2		0000025	VSP, VX
	8	L	14711-ZE2-000	VALVE, IN.	1		-----	0000024 VSP, VX
		T	14711-Z7B-000	1		-----	LH, LW, QD, RD, SD, SH
					1		0000025	VSP, VX
	9	L	14721-ZE2-000	VALVE, EX.	1		-----	0000024 VSP, VX
		T	14721-Z7B-000	1		-----	LH, LW, QD, RD, SD, SH
					1		0000025	VSP, VX
	10	L	14751-ZE2-003	SPRING, VALVE	2		-----	0000024 VX
		L	14751-Z1C-000	2		-----	0000024 VSP
		T	14751-Z7E-000	2		-----	LH, LW, QD, RD, SD, SH
					2		0000025	VSP, VX
	14	L	14781-ZE2-000	ROTATOR, VALVE	1		-----	0000024 VSP, VX
		T	14781-Z7E-000	1		-----	LH, LW, QD, RD, SD, SH
					1		0000025	VSP, VX
	15	L	14791-ZE2-010	PLATE, PUSH ROD GUIDE	1		-----	0000024 VSP, VX
		T	14791-Z7E-000	GUIDE, PUSH ROD	1		-----	LH, LW, QD, RD, SD, SH
					1		0000025	VSP, VX
E-11	1	T	28400-Z7B-003ZA	STARTER ASSY., RECOIL *R280*..... POWER RED	1		-----	LH, LW, QD, RD, SD, SH
					1		0000722	VSP, VX

NOTE A:PART NO. CHANGE D:NEWLY PROVIDED E:PART NO.DELETION K:REQUIRED NO. CORRECTION L:APPLICATION SERIAL NO. CORRECTION
T:APPLICATION CORRECTION Z:REMARKS CHANGE

PARTS CATALOGUE NEWS

BOOKNo. : 13Z7B801

Block No.	Ref. No.	Note	Part No.	Description	Reqd. QTY		Serial No.	Parts catalogue code
					GX 270 H			
	2	T	28410-Z7B-003ZA	CASE COMP., RECOIL STARTER *R280*..... POWER RED	1	-----	-----	LH, LW, QD, RD, SD, SH
					1	0000722	-----	VSP, VX
	3	T	28420-Z7B-003	REEL, RECOIL STARTER	1	-----	-----	LH, LW, QD, RD, SD, SH
					1	0000722	-----	VSP, VX
	4	T	28422-ZH8-801	RATCHET, STARTER	2	-----	-----	LH, LW, QD, RD, SD, SH
					2	0000722	-----	VSP, VX
	5	T	28431-ZH8-801	PLATE, FRICTION	1	-----	-----	LH, LW, QD, RD, SD, SH
					1	0000722	-----	VSP, VX
	6	T	28433-Z2E-003	GUIDE, RATCHET	1	-----	-----	LH, LW, QD, RD, SD, SH
					1	0000722	-----	VSP, VX
	7	T	28441-Z2E-003	SPRING, FRICTION	1	-----	-----	LH, LW, QD, RD, SD, SH
					1	0000722	-----	VSP, VX
	8	T	28442-Z7E-003	SPRING, RECOIL STARTER	1	-----	-----	LH, LW, QD, RD, SD, SH
					1	0000722	-----	VSP, VX
	9	T	28443-ZH8-801	SPRING, RETURN	2	-----	-----	LH, LW, QD, RD, SD, SH
					2	0000722	-----	VSP, VX
	10	T	28461-Z2E-003	KNOB, RECOIL STARTER	1	-----	-----	LH, LW, QD, RD, SD, SH
					1	0000722	-----	VSP, VX
	11	T	28462-Z7B-003	ROPE, RECOIL STARTER	1	-----	-----	LH, LW, QD, RD, SD, SH
					1	0000722	-----	VSP, VX
	12	T	90003-ZH8-801	SCREW, SETTING	1	-----	-----	LH, LW, QD, RD, SD, SH
					1	0000722	-----	VSP, VX
	13	T	90008-ZE2-003	BOLT, FLANGE, 6X10	3	-----	-----	LH, LW, QD, RD, SD, SH
					3	0000722	-----	VSP, VX

NOTE A:PART NO. CHANGE D:NEWLY PROVIDED E:PART NO.DELETION K:REQUIRED NO. CORRECTION L:APPLICATION SERIAL NO. CORRECTION
T:APPLICATION CORRECTION Z:REMARKS CHANGE

PARTS CATALOGUE NEWS

BOOKNo. : 13Z7B801

Block No.	Ref. No.	Note	Part No.	Description	Reqd. QTY	Serial No.	Parts catalogue code
					GX 270 H		
E-11-1	1	L	28400-ZE2-W01ZN	STARTER ASSY., RECOIL *R280*..... POWER RED	1	----- 0000721	VSP, VX
	2	L	28410-ZE2-W01ZN	CASE COMP., RECOIL STARTER *R280*..... POWER RED	1	----- 0000721	VSP, VX
	3	L	28421-ZE2-W01	PULLEY, RECOIL STARTER	1	----- 0000721	VSP, VX
	4	L	28422-ZE2-W01	RATCHET, STARTER	2	----- 0000721	VSP, VX
	5	L	28441-ZE2-W01	SPRING, FRICTION	1	----- 0000721	VSP, VX
	6	L	28442-ZE2-W01	SPRING, STARTER RETURN	1	----- 0000721	VSP, VX
	7	L	28443-ZE2-W01	SPRING, RATCHET	2	----- 0000721	VSP, VX
	8	L	28444-ZE2-W01	RETAINER, SPRING	1	----- 0000721	VSP, VX
	9	L	28461-ZE2-W02	GRIP, STARTER	1	----- 0000721	VSP, VX
	11	L	90004-ZE2-W01	SCREW, CENTER	1	----- 0000721	VSP, VX
	12	L	90008-ZE2-003	BOLT, FLANGE, 6X10	3	----- 0000721	VSP, VX
	E-12	1	L	16731-ZE2-003	CLIP, TUBE	1	----- 0005027
		T	16731-Z7E-000	1	-----	LH, LW, QD, RD, SD, SH
					1	0005028	VSP, VX
2		L	19610-ZE2-010ZL	COVER COMP., FAN *R280*..... POWER RED	1	----- 0004032	VSP, VX
		T	19610-Z7B-000ZA	*R280*..... POWER RED	1	-----	LH, LW, QD, RD, SD, SH
					1	0004033	VSP, VX
E-14	14	L	16211-ZE2-000	INSULATOR, CARBURETOR	1	----- 0000154	VSP, VX
		T	16211-Z7B-000	1	-----	LH, LW, QD, RD, SD, SH
					1	0000155	VSP, VX
E-15-2	9	L	90009-Z1C-000	BOLT-WASHER, 6X22	1	----- 0000036	VSP
		T	90009-ZE2-003	1	-----	LH, SH, VX
					1	0000037	VSP

NOTE A:PART NO. CHANGE D:NEWLY PROVIDED E:PART NO.DELETION K:REQUIRED NO. CORRECTION L:APPLICATION SERIAL NO. CORRECTION
T:APPLICATION CORRECTION Z:REMARKS CHANGE

PARTS CATALOGUE NEWS

BOOKNo. : 13Z7B801

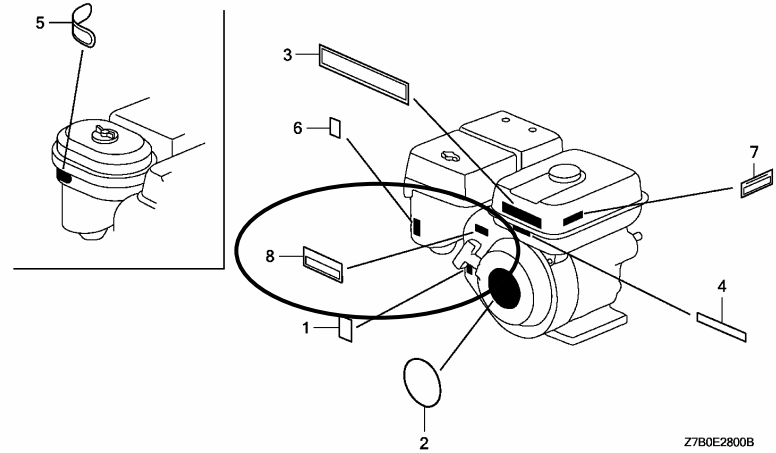
Block No.	Ref. No.	Note	Part No.	Description	Reqd. QTY	Serial No.	Parts catalogue code
					GX 270 H		
E-19	1	L	19511-ZE2-000	FAN, COOLING	1	----- 0000154	VSP, VX
		T	19511-Z7B-000	1	-----	LH, LW, QD, RD, SD, SH
					1	0000155	VSP, VX
	2	L	28450-ZE2-W11	PULLEY COMP., STARTER (SCREEN GRID)	1	----- 0000721	VSP, VX
		T	28450-Z7B-000	PULLEY COMP., STARTER	1	-----	LH, LW, SH
					1	0000722	VSP, VX
	4	L	31100-ZE2-010	FLYWHEEL COMP.	1	----- 0000721	VSP, VX
		T	31110-Z7B-801	1	-----	LH, QD, RD, SD, SH
					1	0000722	VSP, VX
	E-20	1	T	30500-Z7E-003	COIL ASSY., IGNITION	1	-----
					1	0001678	VX
2		T	30700-Z1T-003	CAP ASSY., NOISE SUPPRESSOR ..	1	-----	LH, LW, QD, RD, SD, SH
					1	0001678	VX
10		L	30500-ZF6-W03	COIL ASSY., IGNITION	1	----- 0001677	VX

NOTE A:PART NO. CHANGE D:NEWLY PROVIDED E:PART NO.DELETION K:REQUIRED NO. CORRECTION L:APPLICATION SERIAL NO. CORRECTION
T:APPLICATION CORRECTION Z:REMARKS CHANGE

PARTS CATALOGUE NEWS

BOOKNo. : 13Z7B801

Block No.	Ref. No.	Note	Part No.	Description	Reqd. QTY GX 270 H	Serial No.	Parts catalogue code
E-28			LABEL				



E-28	4	T	87522-Z1T-J00	LABEL, CAUTION (CHINA)	1	-----	-----	LH, LW, QD, RD, SD, SH
					1	0000025	-----	VX
	8	D	87532-Z7E-000	MARK, OIL ALERT	1	0000025	0005234	VX
		A	87532-Z7E-010	1	0005235	-----	VX

NOTE A:PART NO. CHANGE D:NEWLY PROVIDED E:PART NO.DELETION K:REQUIRED NO. CORRECTION L:APPLICATION SERIAL NO. CORRECTION
T:APPLICATION CORRECTION Z:REMARKS CHANGE



PARTS CATALOGUE NEWS

Honda Motor Co., Ltd. Service Division

PARTS CATALOGUE - CORRECTED

Printed in Japan

CODE NO.	13Z7B801
PARTS CATALOGUE NEWS	GX270H
NEWS NO.	004

(CHINA-KD)

Block No.	Ref. No.	Note	Part No.	Description	Reqd. QTY GX 270 H	Serial No.	Parts catalogue code
E-3	1	E	12000-27B-800	*PARTS NO. DELETION			
		D	12000-27B-405	BARREL ASSY., CYLINDER	1	-----	LH, LW, QD, RD, SD, SH

NOTE A:PART NO. CHANGE D:NEWLY PROVIDED E:PART NO. DELETION K:REQUIRED NO. CORRECTION L:APPLICATION SERIAL NO. CORRECTION
T:APPLICATION CORRECTION Z:REMARKS CHANGE

March 05, 2009



PARTS CATALOGUE NEWS

Honda Motor Co., Ltd. Service Division

Printed in Japan

CODE NO.	13Z7B801
PARTS CATALOGUE NEWS	GX270H
NEWS NO.	005

(CHINA-KD)

GX270H-QXC9 TYPE sales parts information

NOTE: This Parts Catalogue News explains only the parts of the different model that are produced to conform to addition of the GX270H-QXC9 type.

As for the parts not listed on this Parts Catalogue News, use the parts of the GX270H-QD type.

- Models, parts catalogue codes and applicable serial numbers

Model	Type		Parts catalogue type	Applicable engine serial No.	Applicable carburetor identification No.
GX270H	QD	Base type	QD	GCADH-0000001 ~	BE75H A
	QXC9	Additional type	QXC9		BE70M A

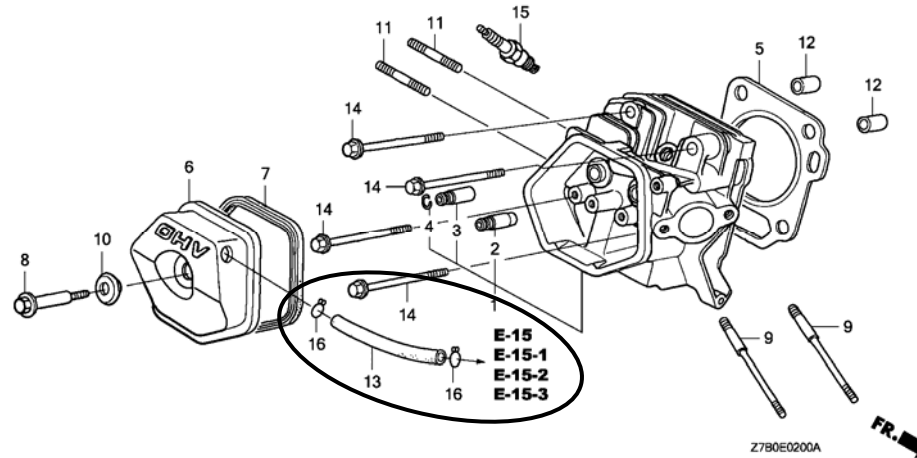
• Features of each type		Base type	Additional type
Specifications		Model	GX270H
		Type	QD QXC9
Crankshaft	25mmØ Straight		
	25.4mmØ Straight	●	●
	20mmØ Spline		
	5/16" Tapered		
Reduction	1/2 Reduction		
	1/2 Reduction (With clutch)		
Air cleaner	Semi dry	●	
	Oil bath		
	Dual		
	Cyclone		●

PARTS CATALOGUE NEWS

BOOKNo. : 13Z7B801

Block No.	Ref. No.	Part No.	Description	Reqd. QTY GX 270 H	Base Part No.	Parts catalogue code
-----------	----------	----------	-------------	-----------------------------	---------------	----------------------

E-2 CYLINDER HEAD



E-2	1	12200-ZH9-405	HEAD COMP., CYLINDER	1	12200-Z7B-000
	6	12310-ZE3-791	COVER COMP., HEAD (BREATHER TUBE JOINT)	1	12310-ZE2-020
	13	12315-ZE3-840	TUBE, BREATHER	1	95005-11100-30
	15	98079-55846	PLUG, SPARK (BPR5ES) (NGK)	(1)	98079-55841
		98079-55855	PLUG, SPARK (W16EPR-U) (DENSO)	(1)	98079-55854
	16	17316-611-000	CLIP, BREATHER TUBE	2	
E-3	1	12000-Z7B-406	BARREL ASSY., CYLINDER (ALERT)	1	12000-Z7B-405
	8	35480-Z7E-003	SWITCH ASSY., OIL LEVEL	1	
	9	34150-ZH7-013	ALERT UNIT, OIL	1	
	10	90013-883-000	BOLT, FLANGE, 6X12 (CT200)	1	
	11	91353-Z7E-003	O-RING, 14MM	1	

PARTS CATALOGUE NEWS

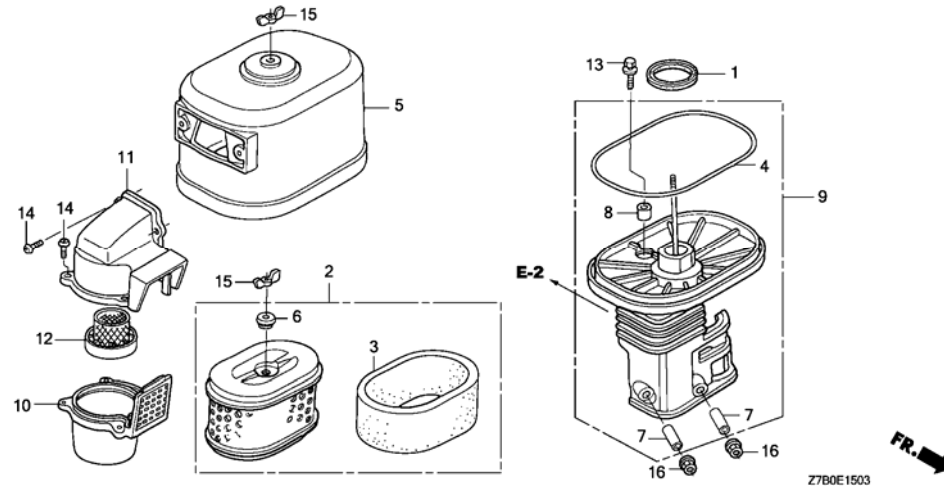
BOOKNo. : 13Z7B801

Block No.	Ref. No.	Part No.	Description	Reqd. QTY	Base Part No.	Parts catalogue code
				GX 270 H		
	12	94050-10000	NUT, FLANGE, 10MM	1		
	13	95701-06012-00	BOLT, FLANGE, 6X12	2		
E-9	2	14100-ZE3-020	CAMSHAFT ASSY.	1	14100-ZH9-010	
E-12	4		SWITCH ASSY., ENGINE STOP	0	36100-ZE1-015	
	6	36100-ZF6-P82	SWITCH ASSY., ENGINE STOP	1		
E-14	5	16016-ZH7-W01	SCREW SET, PILOT	1	16016-ZH8-W01	
	6	16024-ZE1-811	SCREW SET, DRAIN	1		
	9	16100-Z7C-801	CARBURETOR ASSY. (BE70M A) ...	1	16100-Z7B-821	
	11	16166-ZH9-W00	NOZZLE, MAIN	1	16166-ZH9-820	
	12	16172-ZE3-W10	COLLAR, SETTING	1		
	26	99101-ZH8-0880	JET, MAIN, #88	(1)	99101-ZH8-0820	
		99101-ZH8-0900	JET, MAIN, #90	(1)	99101-ZH8-0850	
		99101-ZH8-0920	JET, MAIN, #92	1	99101-ZH8-0880	
E-15	1		ELEMENT, AIR CLEANER (SEMI DRY)	0	17211-ZE2-000	
	2		GRID, AIR CLEANER	0	17212-ZE2-000	
	3		COVER, AIR CLEANER (SEMI DRY)	0	17231-ZE2-000	
	4		COLLAR, AIR CLEANER	0	17238-ZE2-310	
	5		COLLAR B, AIR CLEANER	0	17239-ZE1-000	
	6		ELBOW COMP., AIR CLEANER	0	17410-ZE2-020	
	7		CAP COMP., AIR CLEANER	0	17420-ZE2-000	
	8		BOLT-WASHER, 6X22	0	90009-ZE2-003	
	9		NUT, TOOL BOX SETTING	0	90325-044-000	
	10		NUT, FLANGE, 6MM	0	94050-06000	

Block No.	Ref. No.	Part No.	Description	Reqd. QTY GX 270 H	Base Part No.	Parts catalogue code
-----------	----------	----------	-------------	-----------------------------	---------------	----------------------

E-15-3 AIR CLEANER (CYCLONE)

Ref. No.	LON	(Relative ref. Number) Description	FRT
1	3121E1	PACKING, ELBOW	0.1
2	3121B8	ELEMENT, AIR CLEANER	0.1
. INCLUDES: Air cleaner element			
-inspection			
3	3121C1	FILTER, OUTER	0.1
. INCLUDES:			
Outer filter-inspection			
9	3121B4	ELBOW, AIR CLEANER	0.1
10	3121A6	CASE, PRE AIR CLEANER	0.1
11	3121A4	CAP, PRE AIR CLEANER	0.1
12	3121C8	GUIDE, PRE AIR CLEANER	0.1



Z7B0E1503

E-15-3	1	16271-ZE2-010	PACKING, ELBOW	1
	2	17210-ZE3-010	ELEMENT, AIR CLEANER	1
	3	17218-ZE3-000	FILTER, OUTER	1
	4	17219-ZE3-840	PACKING, AIR CLEANER COVER ...	1
	5	17230-ZE3-841	COVER COMP., AIR CLEANER (CYCLONE)	1
	6	17232-891-000	GROMMET, AIR CLEANER	1
	7	17238-ZE2-310	COLLAR, AIR CLEANER	2
	8	17239-ZE3-840	COLLAR B, AIR CLEANER	1
	9	17410-ZE3-840	ELBOW COMP., AIR CLEANER	1
	10	17470-ZE3-842	CASE COMP., PRE AIR CLEANER ..	1
	11	17475-ZE3-841	CAP, PRE AIR CLEANER	1

PARTS CATALOGUE NEWS

BOOKNo. : 13Z7B801

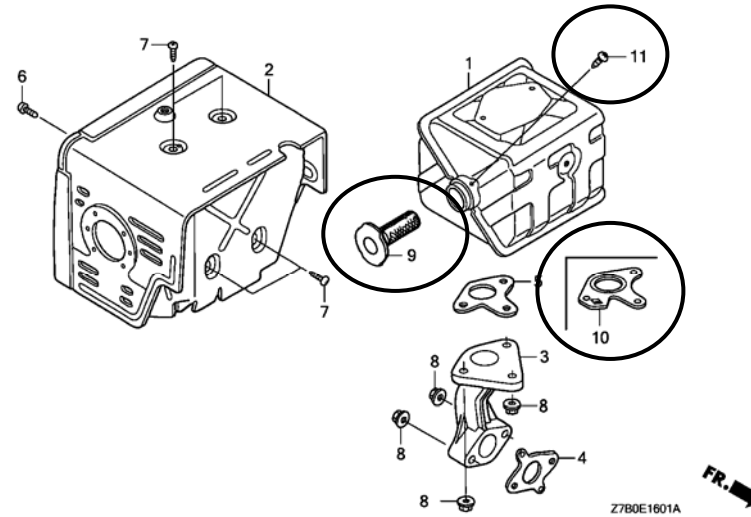
Block No.	Ref. No.	Part No.	Description	Reqd. QTY	Base Part No.	Parts catalogue code
				GX 270 H		
	12	17476-ZE3-841	GUIDE, PRE AIR CLEANER	1		
	13	90009-ZE2-003	BOLT-WASHER, 6X22	1		
	14	90142-MB0-000	SCREW, PAN, 5X16.5	5		
	15	90325-044-000	NUT, TOOL BOX SETTING	2		
	16	94050-06000	NUT, FLANGE, 6MM	2		
E-16	1		MUFFLER COMP.	0	18310-ZE2-W00	
	2		PROTECTOR COMP. , MUFFLER (STD.)	0	18320-ZE2-W01	
	3		PIPE, EX.	0	18330-ZE2-W00	
	5		GASKET, EX. PIPE	0	18333-ZE3-800	
	6		GASKET, MUFFLER (NIPPON LEAKLESS)	0	18381-ZE2-800	
	7		SCREW, TAPPING, 5X8	0	90050-ZE1-000	
	9		NUT, FLANGE, 8MM	0	94050-08000	

BOOKNo. : 13Z7B801

Block No.	Ref. No.	Part No.	Description	Reqd. QTY GX 270 H	Base Part No.	Parts catalogue code
-----------	----------	----------	-------------	-----------------------------	---------------	----------------------

E-16-1 MUFFLER (2)

Ref. No.	(Relative ref. Number) LON Description	FRT
5	(10)	
3131B4	GASKET, EXHAUST MUFFLER	0.2
9 3131A1	ARRESTER, SPARK	0.2
. INCLUDES: Spark arrester check		



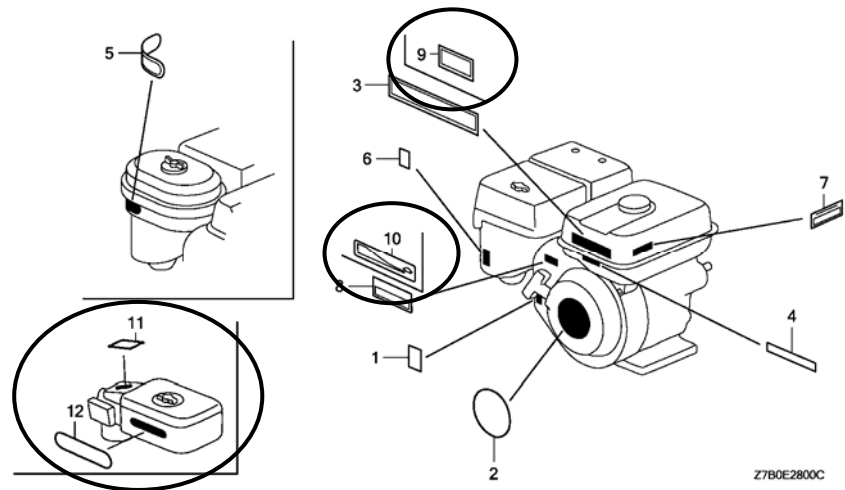
E-16-1	1	18310-ZE2-W61	MUFFLER COMP. (100DB)	1		
	2	18320-ZE2-W61	PROTECTOR COMP., MUFFLER	1		
	3	18330-ZH9-N00	PIPE, EX.	1		
	4	18333-ZF6-W01	GASKET, EX. PIPE	1		
	5	18381-ZE2-800	GASKET, MUFFLER (NIPPON LEAKLESS)	1		
	6	90006-ZE2-000	SCREW, TAPPING, 6X10	1		
	7	90050-ZE1-000	SCREW, TAPPING, 5X8	4		
	8	94050-08000	NUT, FLANGE, 8MM	5		
	9	18355-ZE2-W00	ARRESTER, SPARK	(1)		
	10	18381-ZE2-W10	GASKET, MUFFLER (ARRESTER) (NIPPON LEAKLESS)	(1)		
	11	90055-ZE1-000	SCREW, TAPPING, 4X6	(1)		

PARTS CATALOGUE NEWS

BOOKNo. : 13Z7B801

Block No.	Ref. No.	Part No.	Description	Reqd. QTY		Base Part No.	Parts catalogue code
				GX 270 H			
E-17	7	91353-Z7E-003	O-RING, 14MM	1		91353-671-004	
E-19	2	28450-Z7B-000	PULLEY COMP., STARTER	1			
	3		PULLEY, STARTER	0		28451-Z7B-000	
E-20	7		HOLDER, STOP SWITCH CORD	0		36103-ZE1-000	
	11	90684-Z7E-000	CLIP, HARNESS	1			
E-22	5		CONTROL ASSY.	0		16570-ZE2-W00	
	6	16570-ZE2-W20	CONTROL ASSY. (REMOTE)	1			
	10	16576-891-000	HOLDER, CABLE	1			
	14	16592-883-310	SPRING, CABLE RETURN	1			
	18	93500-05016-0A	SCREW, PAN, 5X16	1			

E-28 LABEL



E-28	3		LABEL, CAUTION (ENGLISH, ETC.)	0		87522-ZH9-010	
	4		LABEL, CAUTION (CHINA)	0		87522-Z1T-J00	

PARTS CATALOGUE NEWS

BOOKNo. : 13Z7B801

Block No.	Ref. No.	Part No.	Description	Reqd. QTY	Base Part No.	Parts catalogue code
				GX 270 H		
	9	87516-ZK6-810	MARK, OPERATOR CAUTION	1		
	10	87532-ZH7-000	MARK, THROTTLE INDICATION	1		
	11	87534-ZE1-841	LABEL, AIR CLEANER CAUTION ...	1		
	12	87535-ZE1-841	MARK, AIR CLEANER SALES POINT	1		

June 29, 2009



PARTS CATALOGUE NEWS

Honda Motor Co., Ltd. Service Division

PARTS CATALOGUE - CORRECTED

Printed in Japan

CODE NO.	13Z7B801
PARTS CATALOGUE NEWS	GX270H
NEWS NO.	006

(CHINA-KD)

Block No.	Ref. No.	Note	Part No.	Description	Reqd. QTY	Serial No.	Parts catalogue code
E-28	3	D	87522-Z7E-800	LABEL, CAUTION (ENGLISH, ETC.)	1	----- 0053888	LW

NOTE A:PART NO. CHANGE D:NEWLY PROVIDED E:PART NO.DELETION K:REQUIRED NO. CORRECTION L:APPLICATION SERIAL NO. CORRECTION
T:APPLICATION CORRECTION Z:REMARKS CHANGE



PARTS CATALOGUE NEWS

Honda Motor Co., Ltd. Service Division

Printed in Japan

CODE NO.	13Z7B801
PARTS CATALOGUE NEWS	GX270H
NEWS NO.	007

(CHINA-KD)

GX270H-QXHQ TYPE sales parts information

NOTE: This Parts Catalogue News explains only the parts of the different model that are produced to conform to addition of the GX270H-QXHQ type.

As for the parts not listed on this Parts Catalogue News, use the parts of the GX270H-QD type.

- Models, parts catalogue codes and applicable serial numbers

Model	Type		Parts catalogue type	Applicable engine serial No.	Applicable carburetor identification No.
GX270H	QD	Base type	QD	GCADH-0000001 ~	BE75H A
	QXHQ	Additional type	QXHQ		

BOOKNo. : 13Z7B801

• Features of each type		Base type	Additional type
Specifications	Model	GX270H	
	Type	QD	QXHQ
Crankshaft	25mmØ Straight		
	25.4mmØ Straight	●	●
	20mmØ Spline		
	5/16" Tapered		
Reduction	1/2 Reduction		
	1/2 Reduction (With clutch)		
Air cleaner	Semi dry	●	●
	Oil bath		
	Dual		
	Cyclone		

Block No.	Ref. No.	Part No.	Description	Reqd. QTY GX 270 H	Base Part No.	Parts catalogue code
E-2	1	12200-ZH9-405	HEAD COMP., CYLINDER	1	12200-Z7B-000	
E-3	1	12000-Z7B-406	BARREL ASSY., CYLINDER (ALERT)	1	12000-Z7B-405	
	8	35480-Z7E-003	SWITCH ASSY., OIL LEVEL	1		
	9	34150-ZH7-013	ALERT UNIT, OIL	1		
	10	90013-883-000	BOLT, FLANGE, 6X12 (CT200)	1		
	11	91353-Z7E-003	O-RING, 14MM	1		
	12	94050-10000	NUT, FLANGE, 10MM	1		
	13	95701-06012-00	BOLT, FLANGE, 6X12	2		

PARTS CATALOGUE NEWS

BOOKNo. : 13Z7B801

Block No.	Ref. No.	Part No.	Description	Reqd. QTY		Base Part No.	Parts catalogue code
				GX 270 H			
E-11	1	28400-Z7B-003ZB	STARTER ASSY., RECOIL *NH1*..... BLACK	1			
	2	28410-Z7B-003ZB	CASE COMP., RECOIL STARTER *NH1*..... BLACK	1			
E-12	2	19610-Z7B-000ZB	COVER COMP., FAN *NH1*..... BLACK	1			
	4		SWITCH ASSY., ENGINE STOP	0	36100-ZE1-015		
	6	36100-ZF6-P82	SWITCH ASSY., ENGINE STOP	1			
E-16	2	18320-ZE2-W02	PROTECTOR COMP., MUFFLER (STD.)	1	18320-ZE2-W01		
E-17	3	17510-ZE2-801ZA	TANK COMP., FUEL *NH1*..... BLACK	1			
	7	91353-Z7E-003	O-RING, 14MM	1	91353-671-004		
E-20	7		HOLDER, STOP SWITCH CORD	0	36103-ZE1-000		
	11	90684-Z7E-000	CLIP, HARNESS	1			
E-28	3		LABEL, CAUTION (ENGLISH, ETC.)	0	87522-ZH9-010		
	4		LABEL, CAUTION (CHINA)	0	87522-Z1T-J00		
	8	87532-Z7E-010	MARK, OIL ALERT	1			
	9	87516-ZK6-810	MARK, OPERATOR CAUTION (CHINESE) (MADE IN CHINA)	1			

October 25, 2009



PARTS CATALOGUE NEWS

Honda Motor Co., Ltd. Service Division

PARTS CATALOGUE - CORRECTED

Printed in Japan

CODE NO.	13Z7B801
PARTS CATALOGUE NEWS	GX270H
NEWS NO.	008

(CHINA-KD)

Block No.	Ref. No.	Note	Part No.	Description	Reqd. QTY GX 270 H	Serial No.	Parts catalogue code
E-16	2	L	18320-ZE2-W01	PROTECTOR COMP., MUFFLER (STD.)	1	----- 0017158	LH, LW, QD, RD, SD, SH
		T	18320-ZE2-W02	1	----- -----	QXHQ
					1	0017159 -----	LH, LW, QD, RD, SD, SH

NOTE A:PART NO. CHANGE D:NEWLY PROVIDED E:PART NO.DELETION K:REQUIRED NO. CORRECTION L:APPLICATION SERIAL NO. CORRECTION
T:APPLICATION CORRECTION Z:REMARKS CHANGE



PARTS CATALOGUE NEWS

Honda Motor Co., Ltd. Service Division

PARTS CATALOGUE - CORRECTED

Printed in Japan

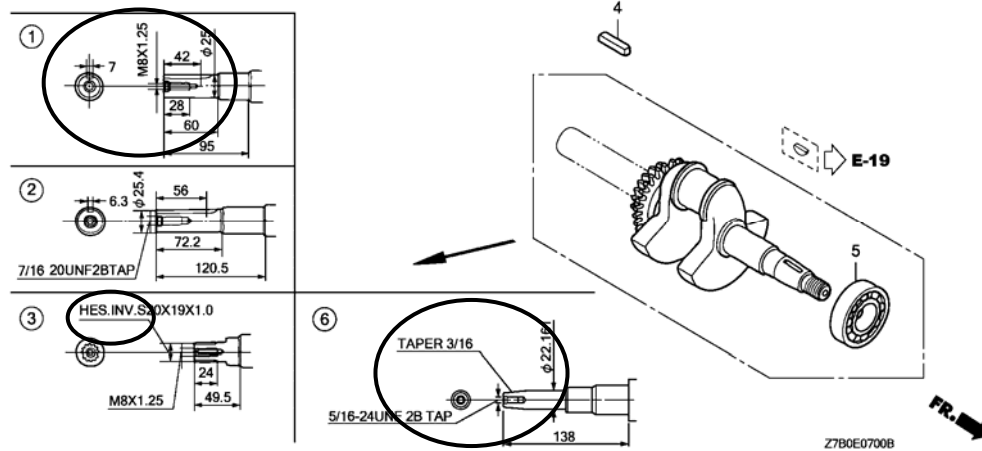
CODE NO.	13Z7B801
PARTS CATALOGUE NEWS	GX270H
NEWS NO.	009

(CHINA-KD)

Block No.	Ref. No.	Note	Part No.	Description	Reqd. QTY GX 270 H	Serial No.	Parts catalogue code
-----------	----------	------	----------	-------------	-----------------------------	------------	----------------------

E-7 CRANKSHAFT

ILLUSTRATION CORRECTED



NOTE A:PART NO. CHANGE D:NEWLY PROVIDED E:PART NO. DELETION K:REQUIRED NO. CORRECTION L:APPLICATION SERIAL NO. CORRECTION
T:APPLICATION CORRECTION Z:REMARKS CHANGE



PARTS CATALOGUE NEWS

Honda Motor Co., Ltd. Service Division

Printed in Japan

CODE NO.	13Z7B801
PARTS CATALOGUE NEWS	GX270H
NEWS NO.	010

(CHINA-KD)

GX270H-SXH TYPE sales parts information

NOTE: This Parts Catalogue News explains only the parts of the different model that are produced to conform to addition of the GX270H-SXH type.

As for the parts not listed on this Parts Catalogue News, use the parts of the GX270H-SH type.

- Models, parts catalogue codes and applicable serial numbers

Model	Type		Parts catalogue type	Applicable engine serial No.	Applicable carburetor identification No.
GX270H	SH	Base type	SH	GCADH-0000001 ~	BE70L A
	SXH	Additional type	SXH		

• Features of each type		Base type	Additional type
Specifications		GX270H	
Model		GX270H	
Type		SH	SXH
Crankshaft	25mmØ Straight	●	●
	25.4mmØ Straight		
	20mmØ Spline		
	3/16" Tapered		
Reduction	1/2 Reduction		
	1/2 Reduction (With clutch)		
Air cleaner	Semi dry		
	Oil bath		
	Dual	●	●
	Cyclone		

PARTS CATALOGUE NEWS

BOOKNo. : 13Z7B801

Block No.	Ref. No.	Part No.	Description	Reqd. QTY		Base Part No.	Parts catalogue code
				GX 270 H			
E-2	1	12200-ZH9-405	HEAD COMP., CYLINDER	1			
E-3	1	12000-Z7B-406	BARREL ASSY., CYLINDER (ALERT)	1		12000-Z7B-405	
	8	35480-Z7E-003	SWITCH ASSY., OIL LEVEL	1			
	9	34150-ZH7-013	ALERT UNIT, OIL	1			
	10	90013-883-000	BOLT, FLANGE, 6X12 (CT200)	1			
	11	91353-Z7E-003	O-RING, 14MM	1			
	12	94050-10000	NUT, FLANGE, 10MM	1			
	13	95701-06012-00	BOLT, FLANGE, 6X12	2			
E-12	4		SWITCH ASSY., ENGINE STOP	0		36100-ZE1-015	
	6	36100-ZF6-P82	SWITCH ASSY., ENGINE STOP	1			
E-20	7		HOLDER, STOP SWITCH CORD	0		36103-ZE1-000	
	11	90684-Z7E-000	CLIP, HARNESS	1			
E-28	3		LABEL, CAUTION (ENGLISH, ETC.)	0		87522-ZH9-010	
	4		LABEL, CAUTION (CHINA)	0		87522-Z1T-J00	
	7	87532-Z7E-010	MARK, OIL ALERT	1			
	9	87516-ZK6-810	MARK, OPERATOR CAUTION (CHINESE) (MADE IN CHINA)	1			